








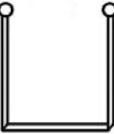










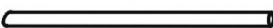









U-DS92ST Ashley Creative Center With Padded Stool Assembly Instructions

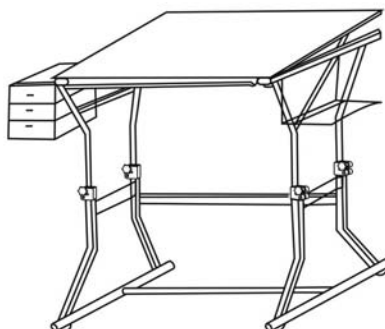
Parts List

[1] - 23.5" x 35.5" Top (1 piece) 	[8] - Drawer Support Rods (2 pieces) 	[15] - Plastic Thick Washer (2 - pieces) 	[22] - Wrench (1 piece) 
[2] - Upper Base left End (1 pieces) 	[9] - Media Supports (1 pieces) 	[16] - Floor Guides (4 pieces) 	[23] - Allen Wrench (1 piece) 
[3] - Upper Base right End (1 pieces) 	[10] - Drawer Supports (2 pieces) 	[17] - Floor Support Spacer (2 pieces) 	[24] - 6x25mm Bolt (2 piece) 
[4] - Lower Base End (2 pieces) 	[11] - Left Tilt mechanism (1 piece) 	[18] - End Cap Nut (2 pieces) 	[25] - Collars (4 pieces) 
[5] - Cross Support (1 piece) 	[12] - Right Tilt mechanism (1 piece) 	[19] - 6x50mm Bolt (2 pieces) 	[26] - 6x8mm Bolt (6 pieces) 
[6] - Base Floor Support (1 piece) 	[13] - Board Brace Clamp (2 pieces) 	[20] - 6x45mm Bolt (8 pieces) 	[27] - 6x40mm Bolt (2 pieces) 
[7] - Board Brace (1 piece) 	[14] - Tool Trough (1 piece) 	[21] - 4x12mm Screw (14 pieces) 	[A] - Drawers (1 set - these need to be assembled) Please see assembly sheet for drawers. 

IMPORTANT

If you have difficulty assembling your U-DS92ST Creative Center or need customer service assistance. Please call:
Martin Universal Design, Inc.
Customer Service Hot Line at
1-313-895-0700.

If you need additional parts, it is not necessary to contact your dealer, our Customer Service Rep. will forward them to you immediately.



U-DS92ST Ashley Creative Center With Padded Stool Assembly Instructions

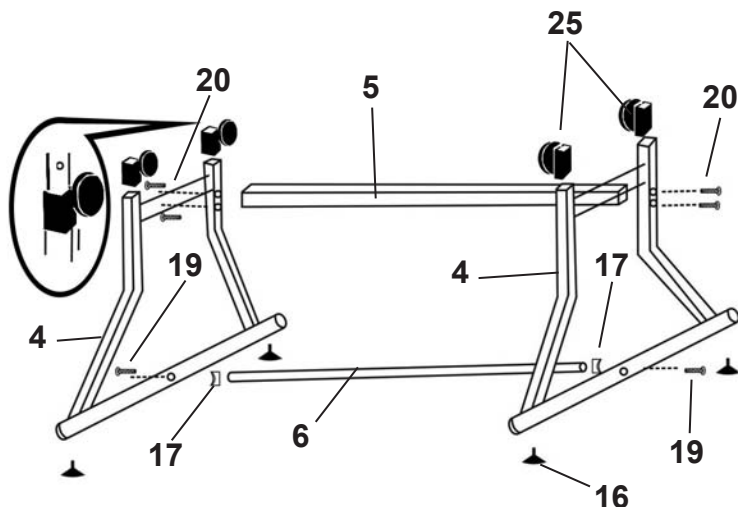


FIG 1

STEP 1] Assembly Base of Table

Begin by attaching the Cross support (part 5) to each Base End Unit (part 4). Secure cross support to leg of base units with [2] 6x45mm bolts (part 20). Tighten with Allen Wrench. See FIG 1.

Continue by taking the [2] Lower Base End units (part 4) and attach the base floor support (part 6) to the lower Base End units using a floor support spacer (part 17) between each end of floor support and base end unit. Secure with [2] 6x50mm bolts (part 19). Tighten with Allen Wrench. See FIG 1.

Continue by attaching [4] floor guides (part 16) into the base by screwing in the guides into the specified holes on the bottom of the base units.

Complete Step 1 by attaching the [4] collars (part 25) onto each of the [4] ends of the lower portion of the base. Tighten lower bolt found below knob on collar. This secures collar to leg. Repeat with all 4 collars. See FIG 1.

NOTE: Knobs on collars are to secure table at desired height.

STEP 2] Assembly Top portion of Base

Take each upper Base ends (part 2 & 3) attach to base assembly by inserting the ends of upper base units into the [4] collars (part 25) found on the base assembly. Tighten knobs on collars to secure. See FIG 2.

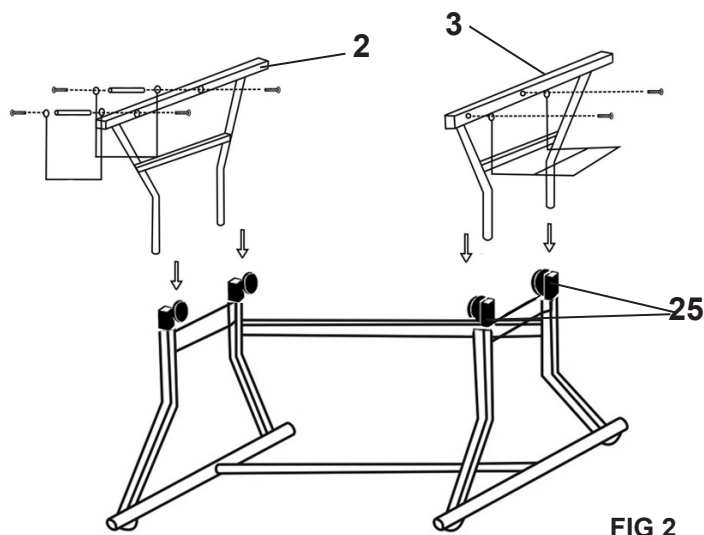


FIG 2

STEP 3] Attach Drawer & Media Support

Continue by attaching Drawer Supports (part 10) to Upper Portion Base Unit (part 2). Begin by securing the Drawer Support Rod (part 8) to the base end unit using [1] 6x45mm bolt. Insert the bolt (part 20) through the inside edge of the base end unit (part 2), through the hole in the Drawer Support (part 10) and secure into the Drawer Support Rod. Secure with Allen Wrench.

Continue by securing other end of Drawer support to Drawer Support Rod using a 6x25mm bolt. Secure to Drawer Support Rod with Allen Wrench. Repeat with second Drawer Support See FIG 3A.

Attach Media Support (part 9) to Upper Portion Base unit (part 3) using [2] 6x8mm bolts. Secure with Allen Wrench. See FIG 3B.

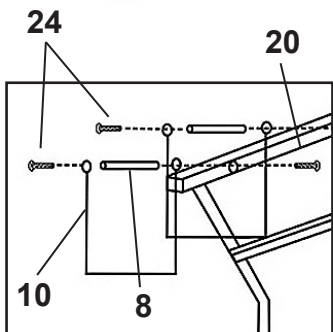


FIG 3A

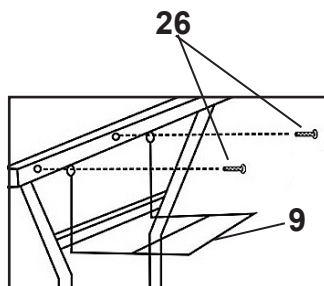


FIG 3B

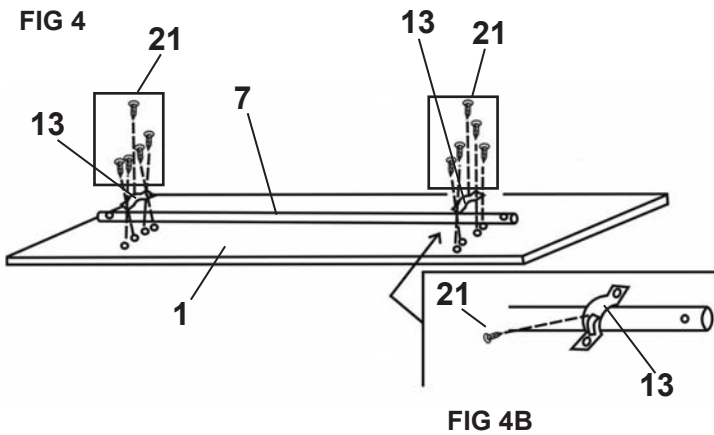
U-DS92ST Ashley Creative Center With Padded Stool Assembly Instructions

STEP 4] Attaching Board Brace

PLEASE NOTE: Lay Table Top onto flat carpeted surface or empty flattened carton insuring top wont scratch, making sure the T-nut holes are facing up.

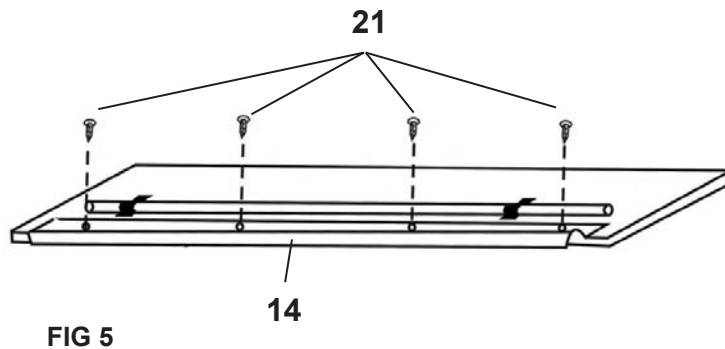
Take the Board Brace (part 7) along with the [2] Board Brace Clamps. Attach the Board Brace to the Drawing Top (part 1) using [1] Board Brace Clamp (part 13) and [5] 4x21mm screws per clamp to underside of table top in pre-drilled holes. **PLEASE NOTE: Make sure the 2 holes near the end on the Board Brace are positioned as shown.** Tighten screws to secure. See FIG 4.

PLEASE NOTE: The [1] screw (part 21) that is attached to the inside section of each clamp (part 13) See FIG 4B. Please secure these screws and then **LOOSEN 1/4 TURN.** This allows for the table top to move easily when making a tilt adjustment later on.



STEP 5] Attaching Tool Trough

Attach Tool Trough (part 14) to the front edge of the Drawing Top by using [4] 4x12mm screws. Tighten to secure. See FIG 5



STEP 6] Attach Tilt Mechanisms to Top

With Drawing Top (part 1) laying on floor, attach Tilt Mechanisms (part 11 & 12) to Drawing top using [2] 6x8mm Bolts (part 26) in pre-drilled T-Nut holes found in Drawing Top. Tighten to secure. Repeat with second tilt mechanism. See FIG 6

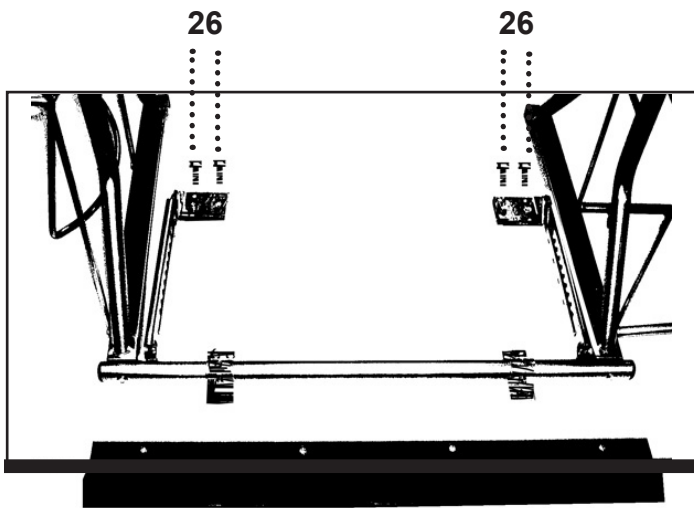
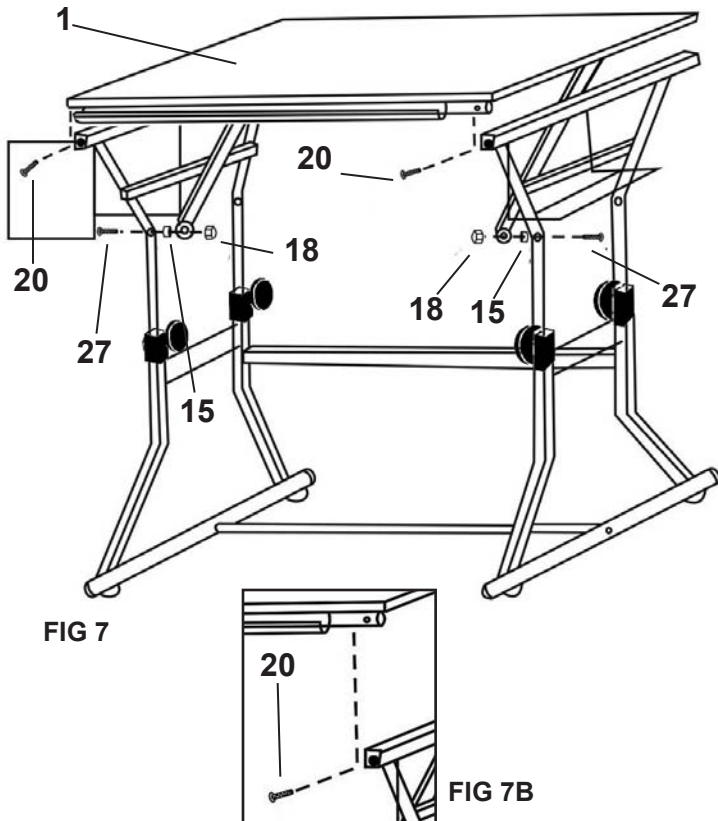


FIG 6

U-DS92ST Ashley Creative Center With Padded Stool Assembly Instructions

STEP 7] Attach Top to Base



After Attaching the Tilt mechanism to the table top, you must attach the opposite end of the tilt mechanism to the base. Using [1] 6x40mm bolt (part 27), [1] Thick Plastic Washer (part 15) and [1] End Cap Nut (part 18) per mechanism. Insert the bolt through the outer side of the base add the thick washer (position the rounded inverted end of the washer up against the base unit to fit flush with the base. Continue inserting the bolt through the tilt mechanism hole and secure with End Cap nut. See FIG 7

Tighten but **DO NOT TIGHTEN** to much, otherwise the tilt mechanism will not adjust smoothly or evenly. Repeat with other side. **AGAIN DO NOT TIGHTEN TO MUCH OTHERWISE TILT MECHANISM WILL NOT WORK SMOOTHLY.**

Secure Top to base by attaching the Board Brace (part 7) to the Base. Secure by attaching a 6x45mm Bolt (part 20) through the board Brace hole and into the hole on the end of the upper portion of the end base unit. See FIG 7B. Tighten to secure.

STEP 8] ADJUSTMENTS

HEIGHT ADJUSTMENT:

To adjust the height of your table - loosen the knobs on the collars found on the base of the table and lift the table top to desired height.

TILT ADJUSTMENT:

To adjust the tilt of your table top, grab the back edge of the table top and lift the top with [2] hands to the maximum tilt and then back down to your desired position. **NOTE: You must lift the table top all the way up before lowering it to the desired tilt level.**

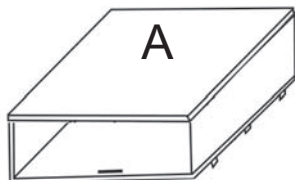
NOTE: If the top does not seem to move smoothly - this means you are NOT holding the top balanced with both hands. Make sure your hands are positioned evenly. This will make the adjustment easier.

LEVELING FLOOR GUIDES:

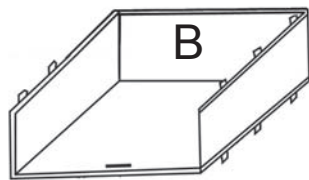
If your floor is uneven, you can adjust the floor guides by loosening the floor guides to make up for the uneven floor.

U-DS92ST Ashley Creative Center With Padded Stool Drawer Assembly Instructions

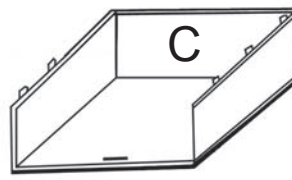
Drawer Parts & Quantity



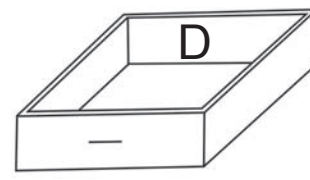
Top - 2 Pieces



Inside Section - 2 Pieces



Bottom - 2 Pieces

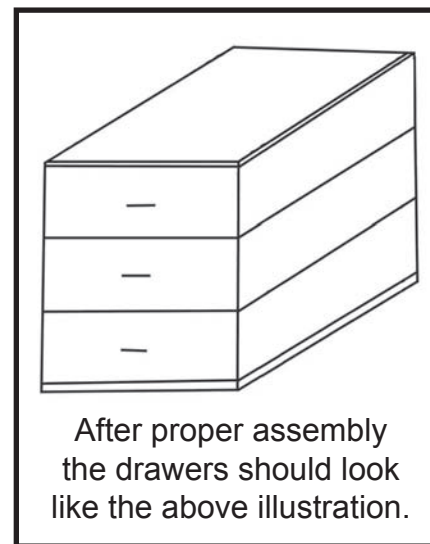
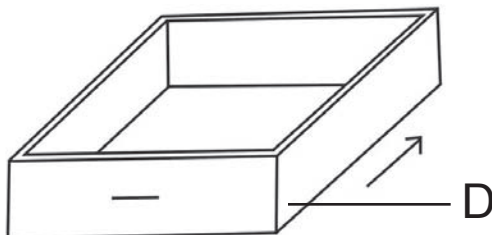
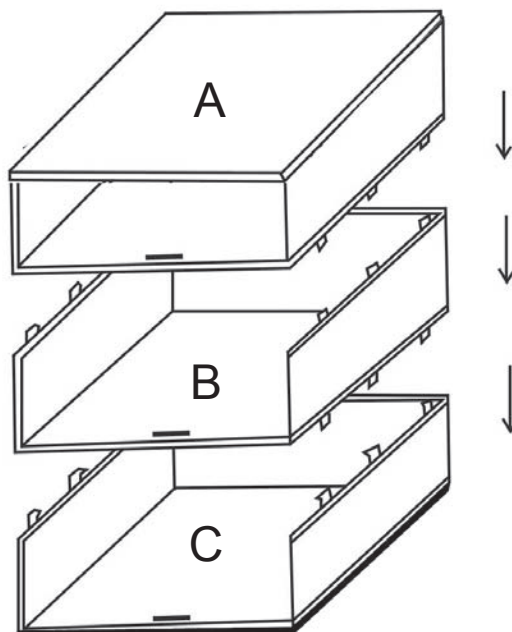


Drawers - 3 Pieces

**WARNING: READ ALL INSTRUCTIONS FIRST BEFORE ASSEMBLING DRAWERS.
ONCE PIECES ARE SNAPPED TOGETHER THEY ARE SECURED.**

Assemble your drawers by taking the section [A] and snapping into place - by lining up the tabs with the grooves in the outside edge of section piece [B]. Complete by snapping section [C] onto section A&B.

Finish by sliding the [3] Drawers into the drawer bank assembly.



After proper assembly the drawers should look like the above illustration.

IMPORTANT

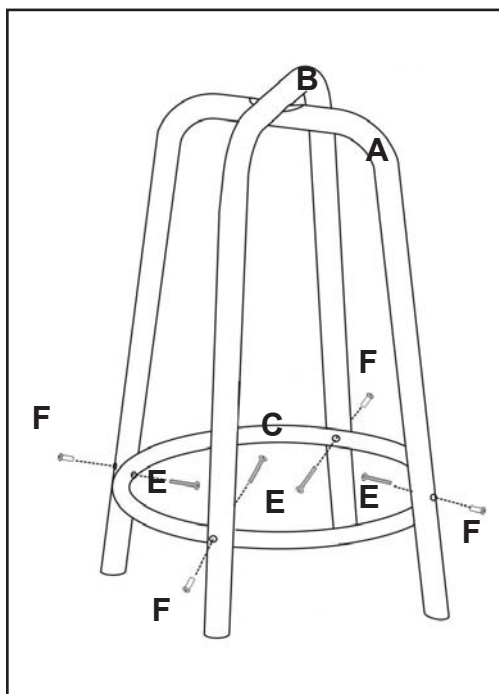
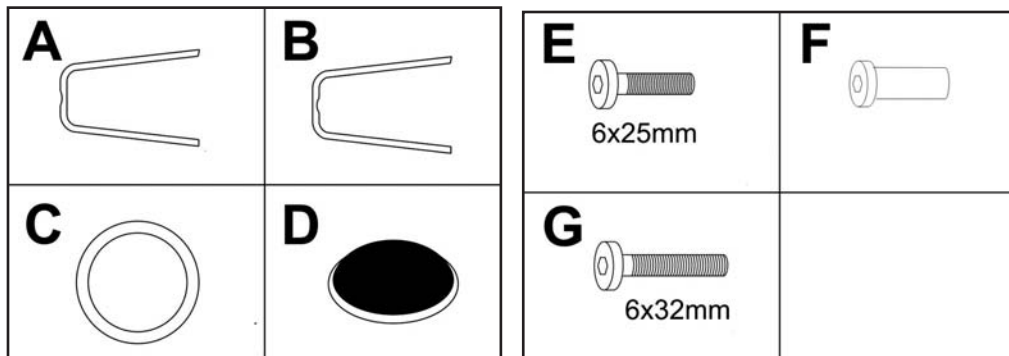
If you have difficulty assembling your U-DS92ST Drawers or need customer service assistance. Please call: Martin Universal Design, Inc. Customer Service Hot Line at 1-313-895-0700. If you need additional parts, it is not necessary to contact your dealer, our Customer Service Rep. will forward them to you immediately.

MARTIN
Universal Design, Inc.

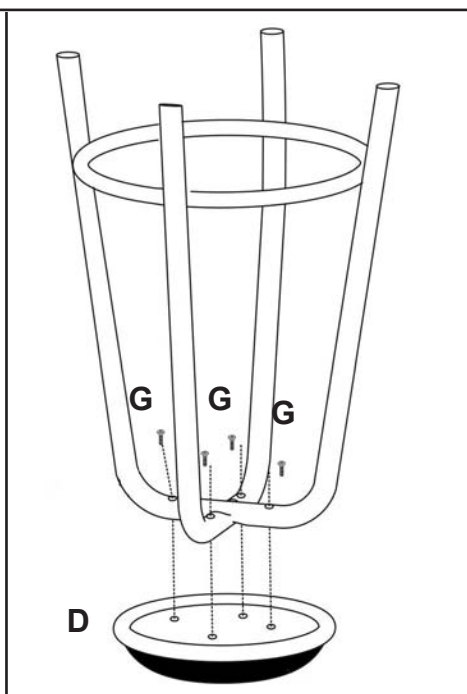
4444 Lawton Avenue, Detroit, MI 48208 USA • Tel:(313)895-0700/Fax:(313)895-0709
Email: Custservmud@aol.com • visit us at www.MartinUniversalDesign.com

U-DS92ST Ashley Creative Center With Padded Stool

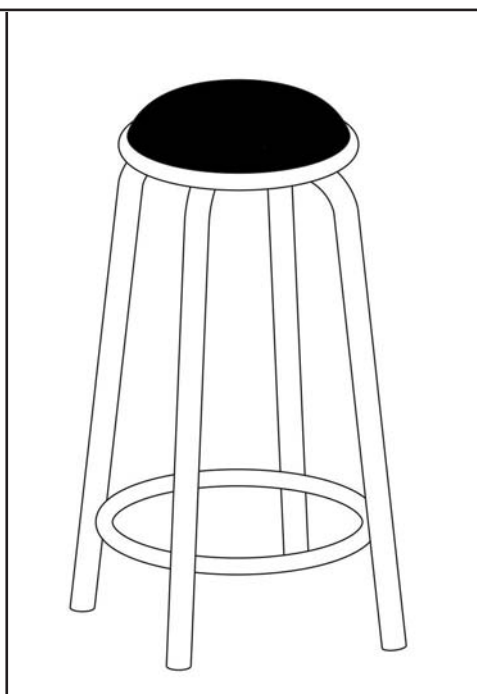
Stool Assembly Instructions



Begin by taking Part A & B, position them as shown above. Insert part C between A & B. Secure by inserting the [4] 6x25mm bolts (part E) through the inside back through to the outside and thread into Part F. Tighten to secure.



Attach Stool seat to stool assembly by laying the seat onto the floor and place the stool assembly over it. Secure with [4] 6x32mm bolts (part G). Tighten down to secure.



Double check that all bolts are tightened. Once that is complete Turn your stool over onto its legs and use.

IMPORTANT

If you have difficulty assembling your U-DS92ST Stool or need customer service assistance. Please call: Martin Universal Design, Inc. Customer Service Hot Line at 1-313-895-0700. If you need additional parts, it is not necessary to contact your dealer, our Customer Service Rep. will forward them to you immediately.