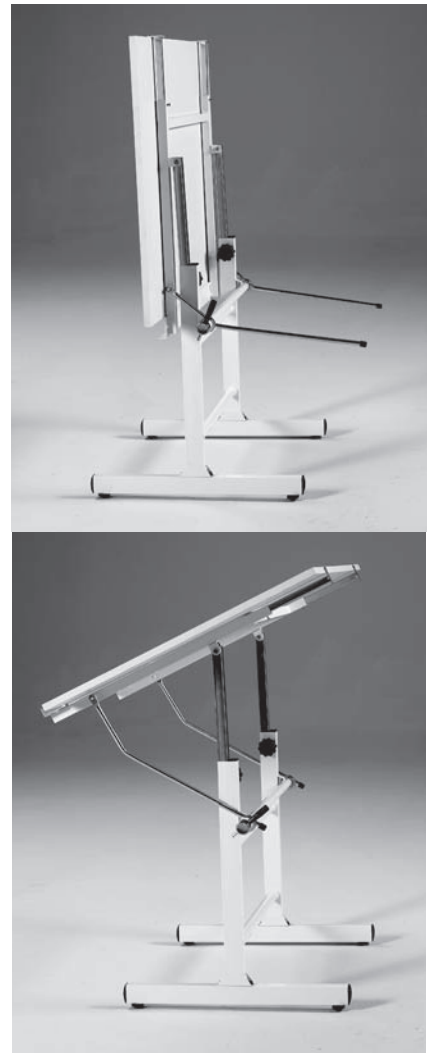


U-DS31W Drawing Table Assembly Instructions



Carton Contents:



Table Base



[2] Base Feet



Hardware Pack

Hardware Pack Contents:



[4] Screws



[2] Allen-Screws



[2] Washers



[1]
Allen-
Wrench



MARTIN
Universal Design, Inc.

4444 Lawton Ave., Detroit, MI 48208 USA
Tel: 313.895.0700 • Fax: 313.895.0709
E-mail: Custservmud@aol.com

U-DS31W Drawing Table Assembly Instructions

Open carton and remove all contents. Check to make sure carton contains:

- A.** [1] Folded Drawing Table **B.** [1] Hardware Pack (taped to the drawing table) **C.** [2] Base-Feet

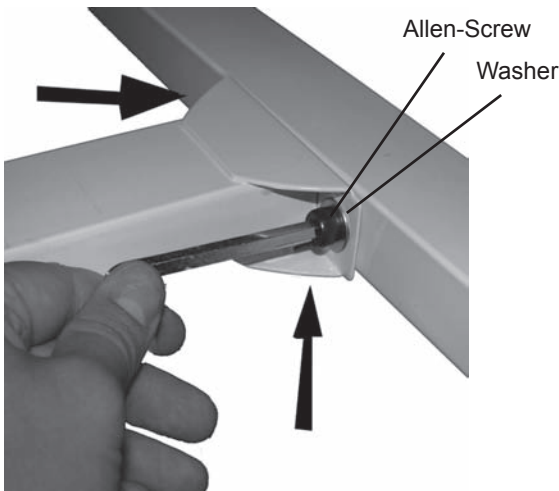
STEP 1. Begin by taking folded drawing table out of carton. See image below.



STEP 2. Remove the hardware pack which is taped to the drawing table base. Remove the [2] base feet from the carton. Set aside.



STEP 3. Attach Base-feet to table by using [1] washer and [1] Allen-screw. Repeat with other base-foot.



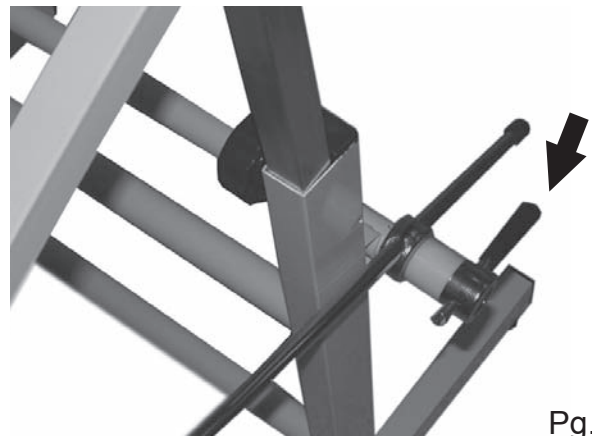
STEP 4. Table should now look like image below. Base-feet now attached.



STEP 5. Loosen Large Black knobs on table base to allow height adjustments



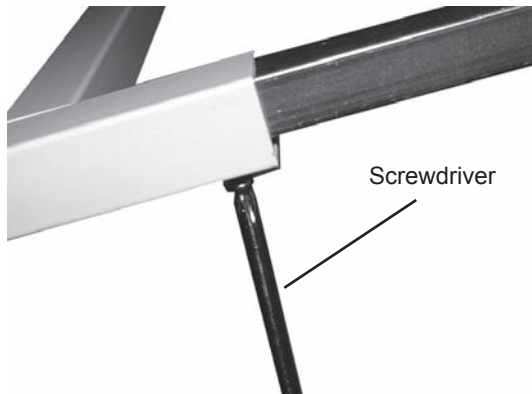
STEP 6. Loosen Lever on table base to allow for tilt adjustments.



Pg. 2

U-DS31W Drawing Table Assembly Instructions

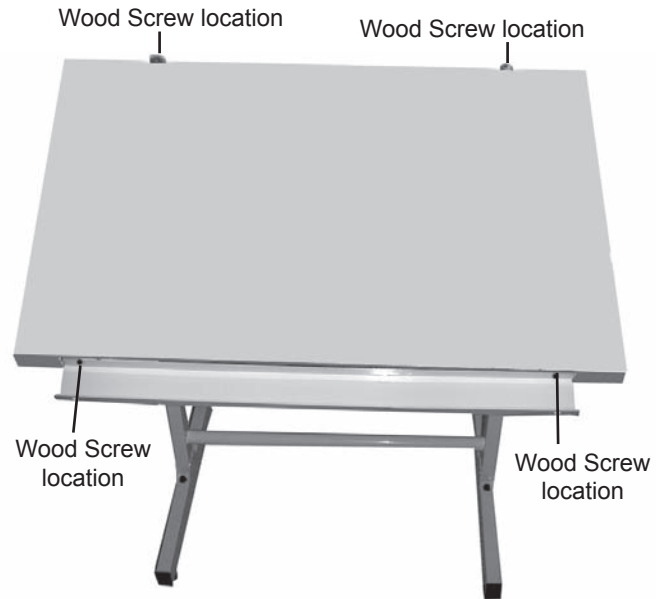
STEP 7. Loosen screws beneath the “H” arms to allow the metal arms to be extended for top attachment. Repeat with other side.



STEP 8. Once arms are extended to proper length for top, secure by tightening the screws you loosened in STEP 7.



STEP 9. Carefully place Table Top onto base and adjust extension arms where needed, so that the ends are flush with the top. Secure with [4] wood screws into the specified locations shown below.



STEP 10. Double check all screws and bolts to make sure everything is secure.

STEP 11. Loosen Large Black knobs on table base to allow height adjustments, then re-tighten to secure. Loosen Lever on table base to allow for tilt adjustments, then re-tighten to secure.

STEP 12. Your NEW U-DS31W is now ready for your enjoyment.

