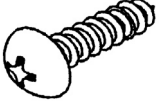


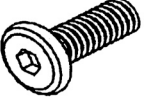




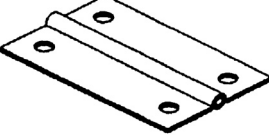

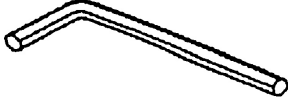




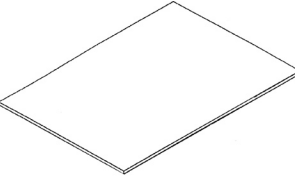
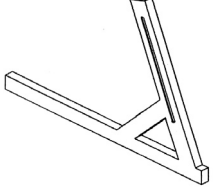

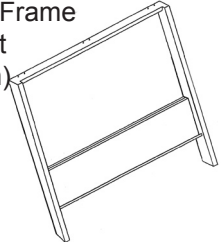
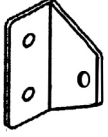
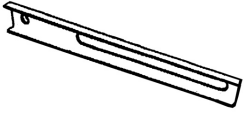
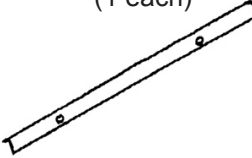
U-UDS5000WD Drawing Table Assembly Instructions

Additional Tools needed: Phillips Screwdriver

Hardware List

<p>[1] - M4x12mm Screws (18 each)</p> 	<p>[2] - Nuts (2 each)</p> 	<p>[3] - M6x8mm Allen Screw (4 each)</p> 	<p>[4] - M6x12mm Allen Screw (2 each)</p> 
<p>[5] - Knobs - Male (4 each)</p> 	<p>[6] - Washer with small hole (4 each)</p> 	<p>[7] - Washer with large hole (4 each)</p> 	<p>[8] - Threaded Rubber Feet (4 each)</p> 
<p>[9] - Hinge (4 each)</p> 	<p>[10] - Wrench (1 each)</p> 	<p>[11] - Allen-Wrench (1 each)</p> 	

Parts List

<p>[A] - Table Top (1 each)</p> 	<p>[B] - Base foot (2 each)</p> 	<p>[C] - Foot Rest Cross Support (1 each)</p> 	<p>[D] - H-Frame Support (1 each)</p> 
<p>[E] - Tilt Bracket End (2 each)</p> 	<p>[F] - Tilt Bracket (2 each)</p> 	<p>[G] - Pencil Edge (1 each)</p> 	

IMPORTANT

If you have difficulty assembling your U-DS5000WD Table or need customer service assistance.

Please call:

Martin Universal Design, Inc. Customer Service Hot Line at
1-313-895-0700.

If you need additional parts,
it is not necessary to contact your dealer, our Customer Service Rep. will forward them
to you immediately.

Pg. 1



U-UDS5000WD Drawing Table Assembly Instructions

IMPORTANT: ASSEMBLY IS EASIER AND SAFER WITH TWO PEOPLE

STEP 1] Assembly Base of Table

Begin by taking the [2] Lower Base Feet (part B) and attach the foot rest (part C) to the Lower Base Feet using [2] M4 x 12mm screws (part 1). Secure by tightening screws. See FIG 1.

Continue by sliding the H-Frame (part D) down into the sides of the Lower Base Feet (part B). Secure with large washer (part 7) and Knob (part 5). Tighten Knob to secure.

Complete Step 1 by inserting [4] Threaded Rubber Feet (part 8) into the bottom of the base.

See FIG 1.

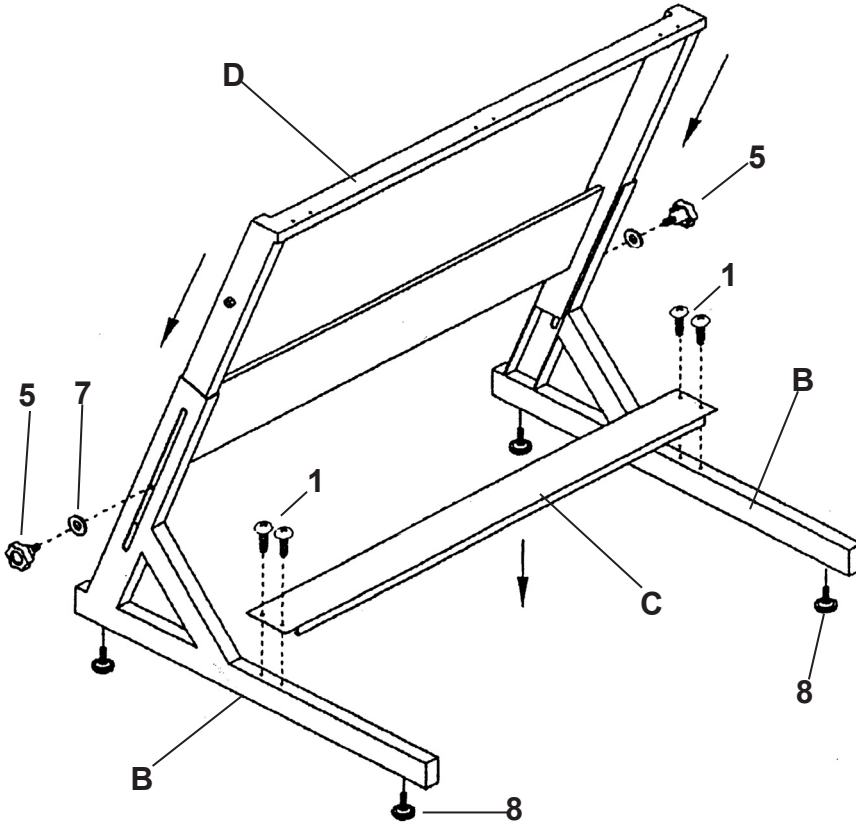


FIG 1

STEP 2] Hinges to Base Assembly

Attach [3] Hinges (part 9) to the top edge of the H-Frame (part D) by using [2] M4 x 12mm screws in each hinge as shown in FIG 2. Secure to H-Frame with Phillips screw-driver.

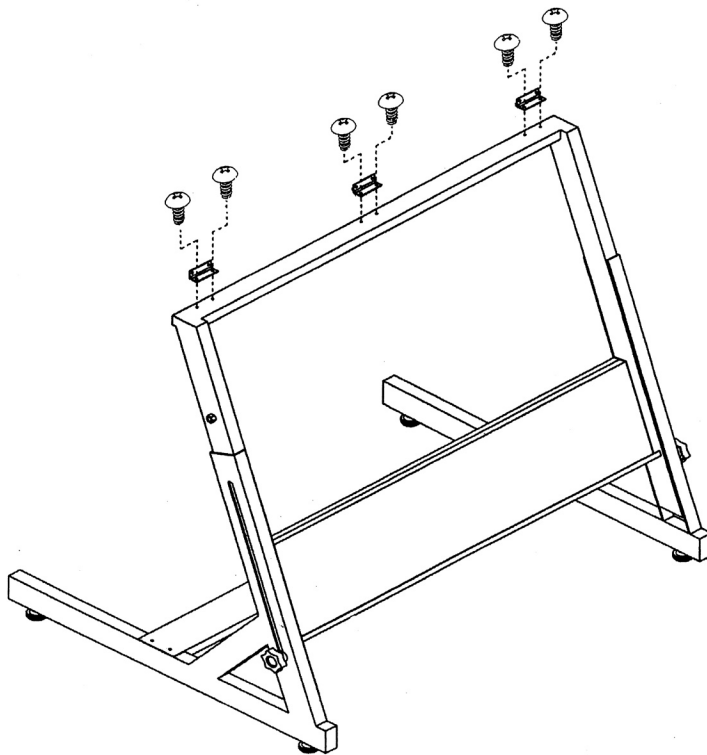


FIG 2



U-UDS5000WD Drawing Table Assembly Instructions

IMPORTANT: ASSEMBLY IS EASIER AND SAFER WITH TWO PEOPLE

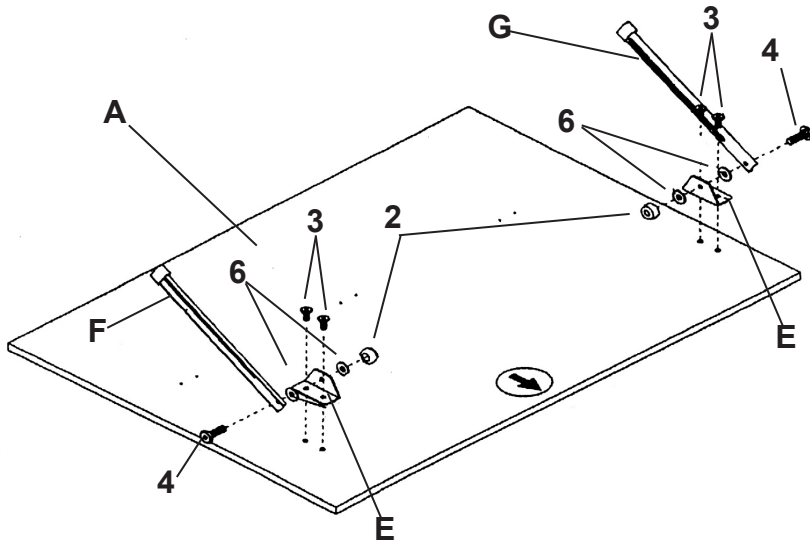


FIG 3

STEP 3] Tilt Bracket Assembly

Lay table top onto flat carpeted or cardboard surface with holes facing up (to protect from scratching table top). Attach the Tilt Bracket End (part E) to the table top in the position as shown in FIG 3 using [2] each M6 x 8mm Allen Screws (part 3) per bracket. Line up holes in bracket end with T-nuts in table top. Secure with Allen-Wrench. See FIG 3.

Continue by adding Tilt Bracket (part F) to tilt bracket end (part E) securing with [1] M6 x 12mm Allen-Screw (part 4), [2] washers (part 6) and [1] Nut (part 2). Tighten with Allen-Wrench to secure. See FIG 3.

STEP 4] Assembling Top to Base

IMPORTANT:
THIS NEXT STEP NEEDS TWO PEOPLE TO ATTACH TOP TO BASE.

Attach Top to base by having one person hold the top while the other person attaches the hinges that are on the table base to the top using [2] M4 x 12mm screws (part 1) in each hinge. Tighten with Phillips screw-driver to secure.

Attach pencil ledge to the front edge of table top using [2] each M4 x 12mm Screws (part 1). Secure with Phillips screw-driver.

Attach Tilt brackets to table base using [1] Knob (part 5) and [1] washer (part 7). Tighten knob to secure. Repeat with other side. See Fig 4B.

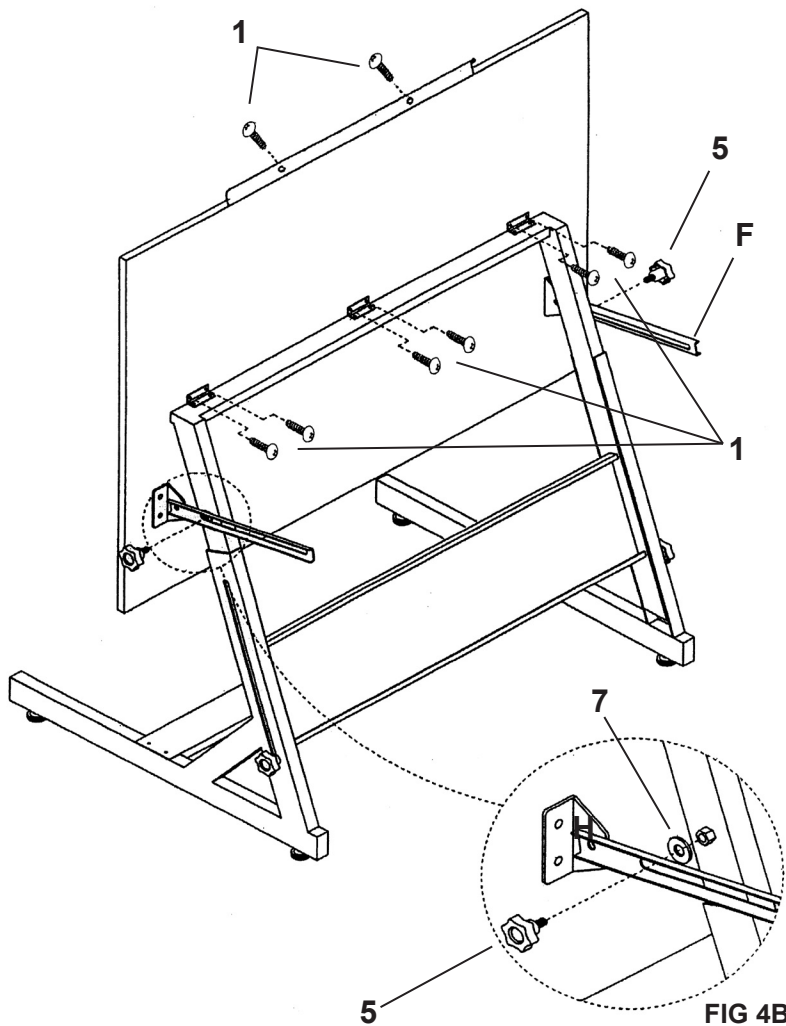


FIG 4

FIG 4B



U-UDS5000WD Drawing Table Assembly Instructions

IMPORTANT: ASSEMBLY IS EASIER AND SAFER WITH TWO PEOPLE

STEP 5] Table Adjustments

To Raise or Lower the height of the table, loosen the Lower knobs found on the channeled Base supports. Raise or Lower the table to your desired position and re-tighten the knobs to secure. See illustration below.

To Adjust the tilt of your table, loosen the knobs found on the tilt brackets. Loosen and change the tilt of the table top, re-tighten once desired tilt is achieved. See illustration below.

If your table seems like it is uneven due to an un-even floor. Loosen or tighten each rubber foot until the table sits evenly on the surface. See illustration below.

NOTE: The back of the table has a convenient Book Shelf/Ledge which holds books and magazines.

ENJOY your new MXZ Drawing Table!

