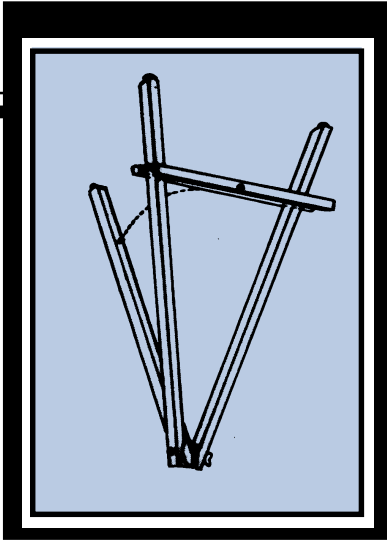


MUD
Inc.



**Professional
Table Top
Easel**

prima®

#9

MARTIN UNIVERSAL DESIGN, INC. U-300N Professional Table Top Easel

- Adjustable Tray • 22 Inches Tall • Non-Skid Rubber Feet
- Natural Finish • Ideal for painting on table or holding books
- One Year Guarantee

"Please see inside cover for Assembly Instructions"

ONE YEAR GUARANTEE

This Martin Universal Design, Inc. product has a one year guarantee to be free from manufacturers defects during that period of use by the original purchaser. Items or parts subjected to extreme temperature or abuse, or use of this product other than manufacturers intended purpose is not covered under this guarantee.



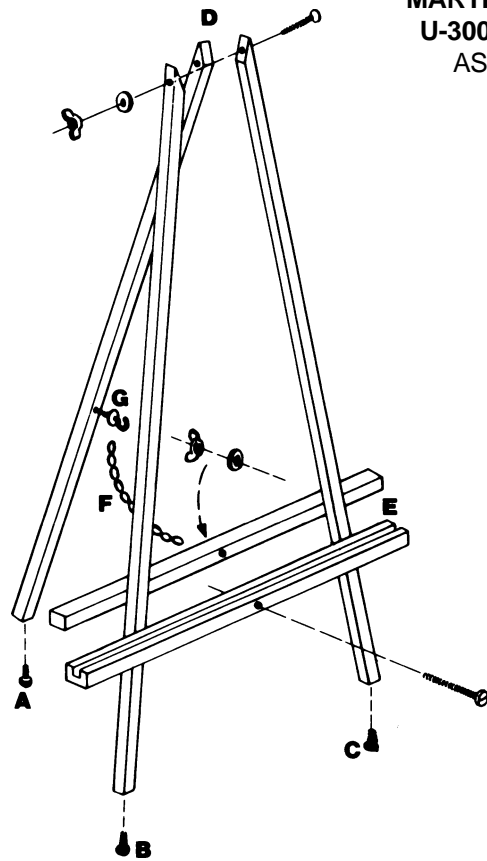
Made in China

MUD
Inc.

Martin Universal Design, Inc.

4444 Lawton Avenue • Detroit, MI 48208 U.S.A.
TeL(313)895-0700 • Fax:(313)895-0709

MARTIN UNIVERSAL DESIGN, INC.
U-300N PRO. TABLE TOP EASEL
ASSEMBLY INSTRUCTIONS



STEP (1)

Attach rubber tips (A, B, C) tap lightly with a hammer if needed.

STEP (2)

Position all 3 legs (A, B, C) at the top (D) and secure with 2" bolt, washer and wing nut.

STEP (3)

Attach adjustable canvas tray (E) and chain (F), secure with 3" bolt, washer and wing nut.

STEP (4)

Secure cup hook (G) to the back leg (A), attach chain (F) to (G).

PLEASE NOTE: All holes are drilled to close tolerances for maximum rigidity. It may be necessary to tap bolts in place with a hammer.

**PERIODIC RE-TIGHTENING
OF EASEL WILL ASSURE A
STURDY PRODUCT.**

Martin Universal Design, Inc.
4444 Lawton Avenue, Detroit, MI 48208 U.S.A.
Tel:(313)895-0700 • Fax:(313)895-0709