

MUD  
Inc.

**Adjustable  
Art/Display  
Easel**  
**prima®**  
**#4**

**MARTIN UNIVERSAL DESIGN, INC. U-280N Adj. Art/Display Easel**

- Adjustable Height 57" - 65½"
  - Heavy Duty Chain
  - 22" Wide Canvas Tray • Natural Wood Finish •
  - Non-Skid Rubber Tip Feet • One Year Guarantee
- "Please see inside cover for Assembly Instructions"

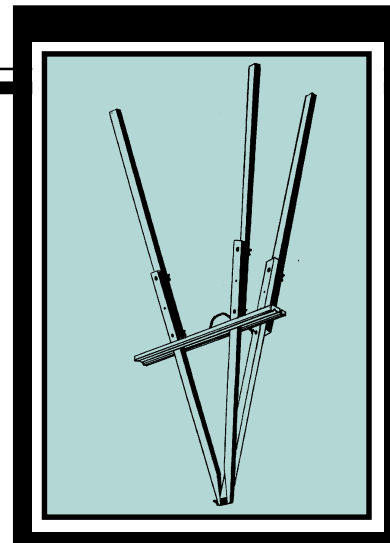
### ONE YEAR GUARANTEE

This Martin Universal Design, Inc. product has a one year guarantee to be free from manufacturers defects during that period of use by the original purchaser. Items or parts subjected to extreme temperature or abuse, or use of this product other than manufacturers intended purpose is not covered under this guarantee.



**MUD**  
*Inc.*

**Martin Universal Design, Inc.**  
4444 Lawton Avenue • Detroit, MI 48208 U.S.A.  
Tel:(313)895-0700 • Fax:(313)895-0709



MUD  
Inc.

**Adjustable  
Art/Display  
Easel**  
**prima®**  
**#4**

**MARTIN UNIVERSAL DESIGN, INC. U-280N Adj. Art/Display Easel**

- Adjustable Height 57" - 65½"
  - Heavy Duty Chain
  - 22" Wide Canvas Tray • Natural Wood Finish •
  - Non-Skid Rubber Tip Feet • One Year Guarantee
- "Please see inside cover for Assembly Instructions"

### ONE YEAR GUARANTEE

This Martin Universal Design, Inc. product has a one year guarantee to be free from manufacturers defects during that period of use by the original purchaser. Items or parts subjected to extreme temperature or abuse, or use of this product other than manufacturers intended purpose is not covered under this guarantee.

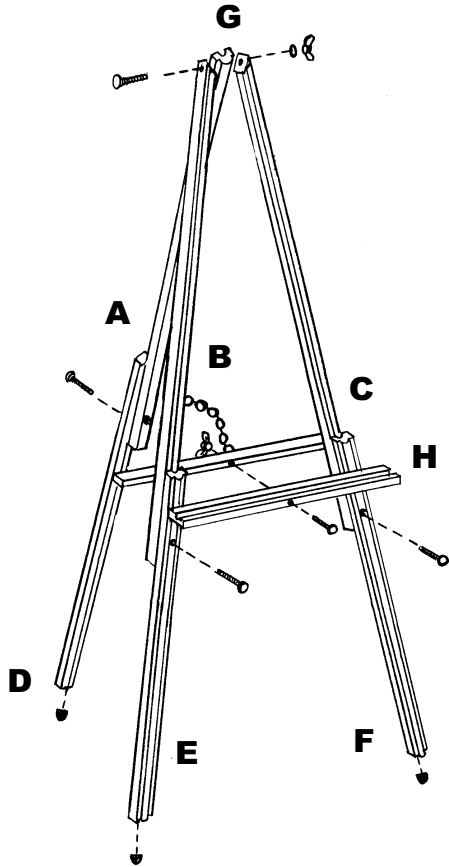


**MUD**  
*Inc.*

**Martin Universal Design, Inc.**  
4444 Lawton Avenue • Detroit, MI 48208 U.S.A.  
Tel:(313)895-0700 • Fax:(313)895-0709

Black Color Plate

**MARTIN UNIVERSAL DESIGN, INC.**  
**U-280N ADJ. ART/DISPLAY EASEL**  
ASSEMBLY INSTRUCTIONS



**STEP (1)**

Attach rubber tips to ends of lower legs (D, E, F) tap lightly with a hammer if needed.

**STEP (2)**

Position all 3 legs (upper legs A, B, C) at the top (G) and secure with 3" bolt, washer and wing nut.

**STEP (3)**

Position 3 leg posts (lower legs D, E, F) to desired height. Insert 2" bolt through each leg and secure at back with one washer and wing nut on each bolt. One end of chain must be attached to back bolt before securing with washer & wing nut.

**STEP (4)**

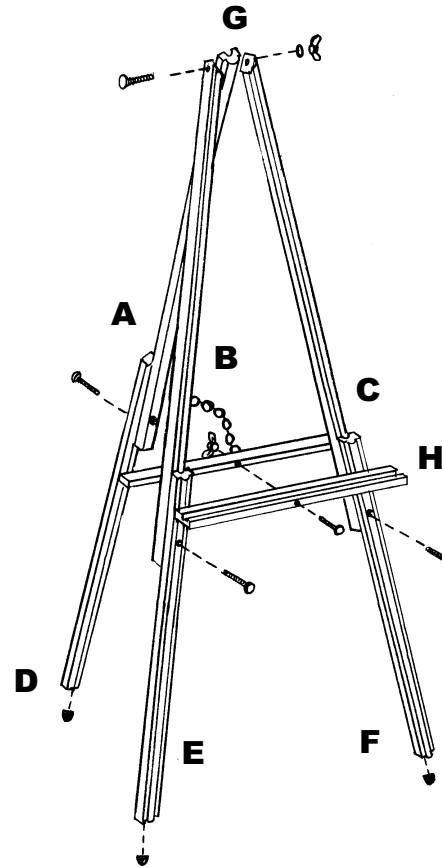
Attach canvas holder and pressure bar (H) with 3" bolt. Place other end of chain over bolt, secure with wing nut.

**PLEASE NOTE:** All holes are drilled to close tolerances for maximum rigidity. It may be necessary to tap bolts in place with a hammer.

**PERIODIC RE-TIGHTENING OF EASEL WILL ASSURE A STURDY PRODUCT.**

**Martin Universal Design, Inc.**  
4444 Lawton Avenue, Detroit, MI 48208 U.S.A.  
Tel:(313)895-0700 • Fax:(313)895-0709

**MARTIN UNIVERSAL DESIGN, INC.**  
**U-280N ADJ. ART/DISPLAY EASEL**  
ASSEMBLY INSTRUCTIONS



**STEP (1)**

Attach rubber tips to ends of lower legs (D, E, F) tap lightly with a hammer if needed.

**STEP (2)**

Position all 3 legs (upper legs A, B, C) at the top (G) and secure with 3" bolt, washer and wing nut.

**STEP (3)**

Position 3 leg posts (lower legs D, E, F) to desired height. Insert 2" bolt through each leg and secure at back with one washer and wing nut on each bolt. One end of chain must be attached to back bolt before securing with washer & wing nut.

**STEP (4)**

Attach canvas holder and pressure bar (H) with 3" bolt. Place other end of chain over bolt, secure with wing nut.

**PLEASE NOTE:** All holes are drilled to close tolerances for maximum rigidity. It may be necessary to tap bolts in place with a hammer.

**Martin Universal Design, Inc.**  
4444 Lawton Avenue, Detroit, MI 48208 U.S.A.  
Tel:(313)895-0700 • Fax:(313)895-0709

**PERIODIC RE-TIGHTENING OF EASEL WILL ASSURE A STURDY PRODUCT.**