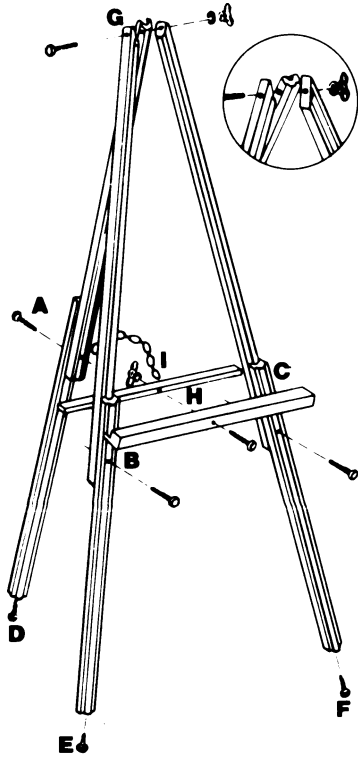


**MARTIN UNIVERSAL DESIGN, INC.**  
**U-199N TRADITIONAL EASEL**  
**ASSEMBLY INSTRUCTIONS**



**STEP (1)**

Position all 3 leg posts (A, B, C) at the top (G). Insert 2" bolt through posts, securing with washer and wing nut.

**STEP (2)**

Attach rubber tips to bottom of legs (D, E, F) tap lightly with a hammer if needed.

**STEP (3)**

Position 3 leg posts (D, E, F) to desired height. Insert 2" bolt and secure at back with one washer and wing nut on each bolt. One end of chain must be attached to back bolt before securing with washer & wing nut.

**STEP (4)**

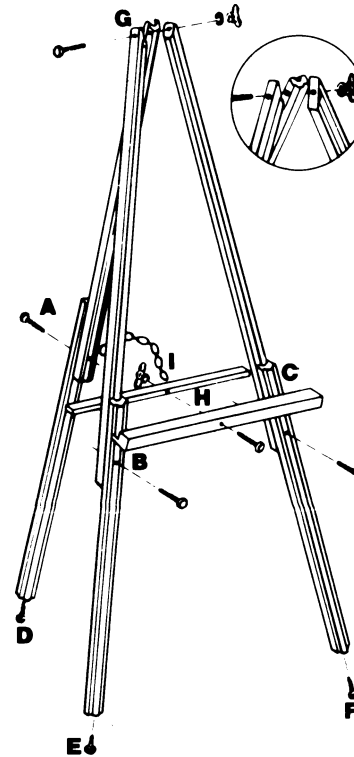
Attach canvas holder (H) and pressure bar (I) with 3" bolt. Place other end of chain over bolt, secure with wing nut.

**PLEASE NOTE:** All holes are drilled to close tolerances for maximum rigidity. It may be necessary to tap bolts in place with a hammer.

**PERIODIC RE-TIGHTENING  
OF EASEL WILL ASSURE A  
STURDY PRODUCT.**

**Martin Universal Design, Inc.**  
4444 Lawton Avenue, Detroit, MI 48208 U.S.A.  
Tel:(313)895-0700 • Fax:(313)895-0709

**MARTIN UNIVERSAL DESIGN, INC.**  
**U-199N TRADITIONAL EASEL**  
**ASSEMBLY INSTRUCTIONS**



**STEP (1)**

Position all 3 leg posts (A, B, C) at the top (G). Insert 2" bolt through posts, securing with washer and wing nut.

**STEP (2)**

Attach rubber tips to bottom of legs (D, E, F) tap lightly with a hammer if needed.

**STEP (3)**

Position 3 leg posts (D, E, F) to desired height. Insert 2" bolt and secure at back with one washer and wing nut on each bolt. One end of chain must be attached to back bolt before securing with washer & wing nut.

**STEP (4)**

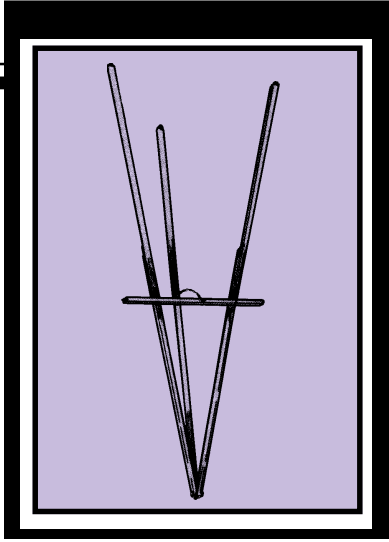
Attach canvas holder (H) and pressure bar (I) with 3" bolt. Place other end of chain over bolt, secure with wing nut.

**PLEASE NOTE:** All holes are drilled to close tolerances for maximum rigidity. It may be necessary to tap bolts in place with a hammer.

**PERIODIC RE-TIGHTENING  
OF EASEL WILL ASSURE A  
STURDY PRODUCT.**

**Martin Universal Design, Inc.**  
4444 Lawton Avenue, Detroit, MI 48208 U.S.A.  
Tel:(313)895-0700 • Fax:(313)895-0709

MUD  
Inc.



**Traditional Easel**  
**prima®**  
**#5**

**MARTIN UNIVERSAL DESIGN, INC. U-199N Prima® Traditional Easel**

- Hardwood, natural smooth finish • Non-Skid Rubber Feet
- Easy Folding • Heavy Duty Chain
- 67 Inches Tall • One Year Guarantee

"Please see inside cover for Assembly Instructions"

**ONE YEAR GUARANTEE**

This Martin Universal Design, Inc. product has a one year guarantee to be free from manufacturers defects during that period of use by the original purchaser. Items or parts subjected to extreme temperature or abuse, or use of this product other than manufacturers intended purpose is not covered under this guarantee.

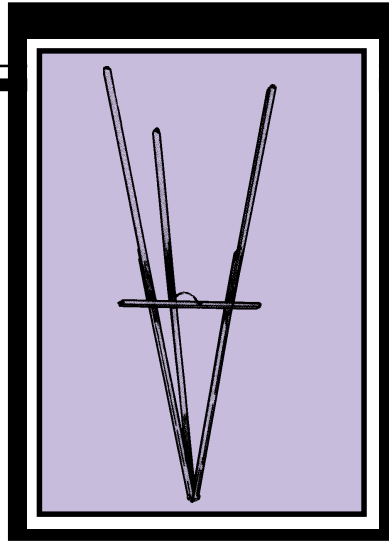


Made in China

**MUD**  
*Inc.*

**Martin Universal Design, Inc.**  
4444 Lawton Avenue • Detroit, MI 48208 U.S.A.  
Tel:(313)895-0700 • Fax:(313)895-0709

MUD  
Inc.



**Traditional Easel**  
**prima®**  
**#5**

**MARTIN UNIVERSAL DESIGN, INC. U-199N Prima® Traditional Easel**

- Hardwood, natural smooth finish • Non-Skid Rubber Feet
- Easy Folding • Heavy Duty Chain
- 67 Inches Tall • One Year Guarantee

"Please see inside cover for Assembly Instructions"

**ONE YEAR GUARANTEE**

This Martin Universal Design, Inc. product has a one year guarantee to be free from manufacturers defects during that period of use by the original purchaser. Items or parts subjected to extreme temperature or abuse, or use of this product other than manufacturers intended purpose is not covered under this guarantee.



Made in China

**MUD**  
*Inc.*

**Martin Universal Design, Inc.**  
4444 Lawton Avenue • Detroit, MI 48208 U.S.A.  
Tel:(313)895-0700 • Fax:(313)895-0709

**Black Color Plate**