

U-115N/L Middleweight Folding Easel ASSEMBLY INSTRUCTIONS

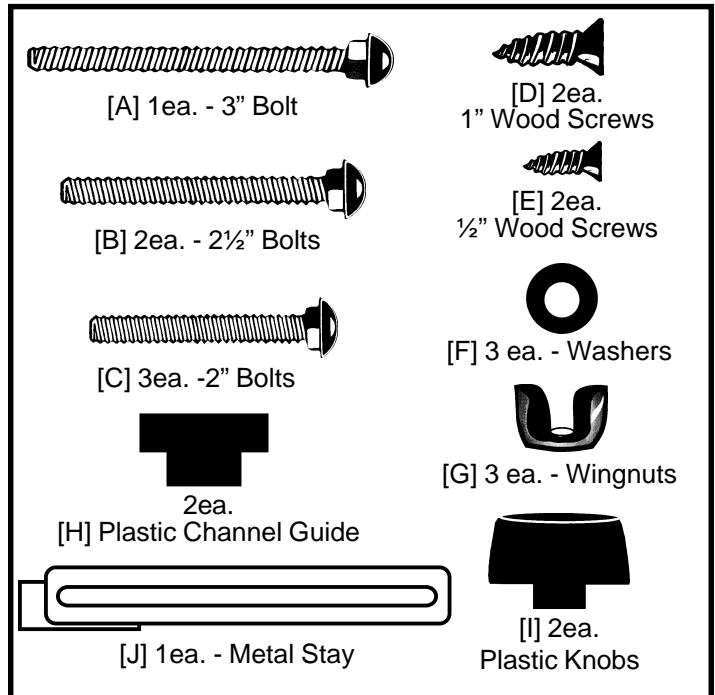
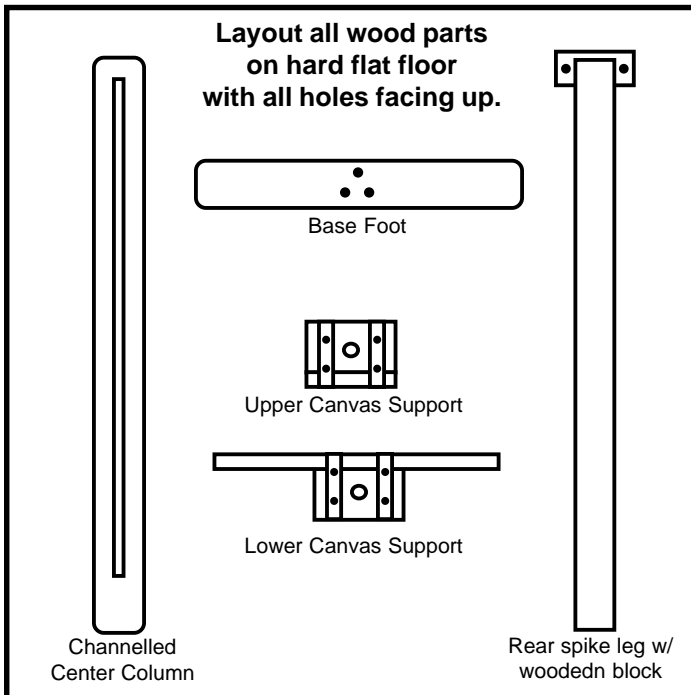
MAKE SURE CARTON CONTAINS THE FOLLOWING PARTS

WOOD PARTS

- 1 ea. Channelled Center Column
- 1 ea. Rear Spike Leg
..... with attached wooden block
- 1 ea. Base Foot
- 1 ea. Upper Canvas Support
- 1 ea. Lower Canvas Support

HARDWARE PARTS

- 1 ea. 3" Bolts [A]
- 2 ea. 2½" Bolts [B]
- 3 ea. 2" Bolts [C]
- 2 ea. 1" Wood Screws [D]
- 2 ea. ½" Wood Screws [E]
- 3 ea. Washers [F]
- 3 ea. Wingnuts [G]
- 2 ea. Plastic Channel Guides [H]
- 2 ea. Plastic Knobs [I]
- 1 ea. Metal Stay [J]



STEP 1. Before Attaching Rear Spike Leg. **MAKE SURE** rear leg is in this position before attaching to Channelled Center Column. Continue by aligning screw holes and proceed by screwing in 2 ea. 1" wood screws [D] into wood block and then into upper cross member.

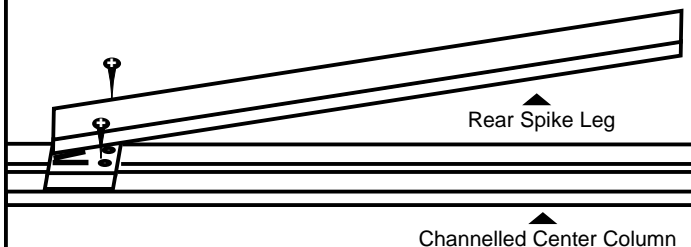


FIG 1

STEP 2. Attaching Metal Stay [J] to Easel. **MAKE SURE** Positioning of metal stay [J] is **CORRECT** as shown below in FIG. 2. Align holes in metal stay with pre-tapped holes in center column. Attach using 2 ea. ½" wood screws [E] and tighten.

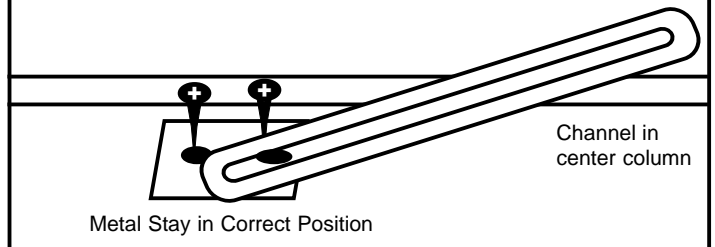


FIG 2

STEP 3. Attaching Base Foot.

Lay Channelled Center column and Rear Leg assembly down on flat floor with Channelled Center Column facing up. Take the Base Foot and align the holes in it with the holes on the Channelled Center Column. Using 3 ea. 2" Bolts [C], washers [F] and wingnuts [G], attach basefoot to channelled center column. SEE FIG 3.

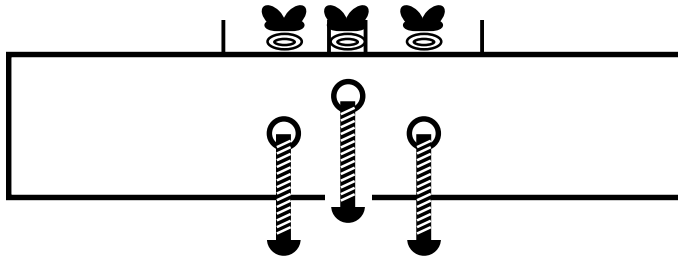


FIG 3

STEP 4. Attaching rear support leg to Metal Stay [J]. Take 3" bolt [A] and insert through hole provided in side of rear support leg. Proceed by adding a washer [F], then insert bolt through channel of metal stay [J], add another washer [G] and then wingnut [G]. Tighten wing nut at desired angle. SEE FIG 4.

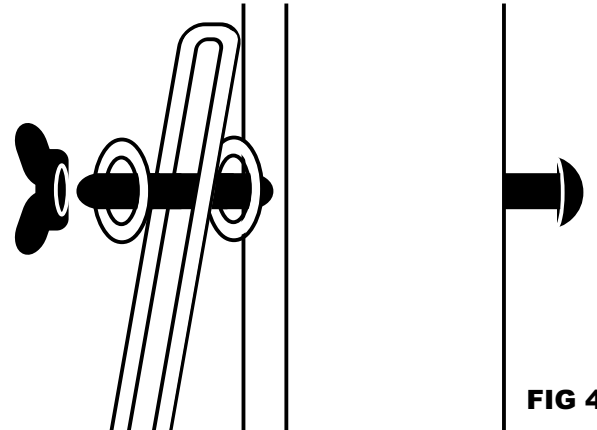
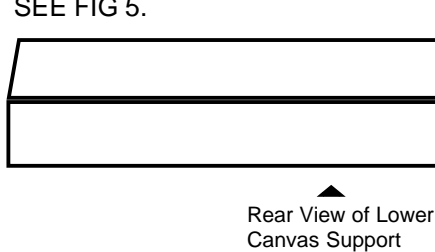


FIG 4

STEP 5. Attaching Lower Canvas Support

Hold lower canvas support to front of channelled center column and insert plastic channel guide [H] through rear of channelled center column. SEE FIG 5.

Then insert 2½" (½ threaded) bolt through plastic channel guide [H] and screw plastic knob [I] onto bolt [B] located on front of lower canvas support. Tighten knob at desired height of canvas support. SEE FIG 5.



Rear View of Lower Canvas Support

STEP 7. Attaching Upper Canvas Support

REPEAT above step for upper canvas support. SEE FIG 6.

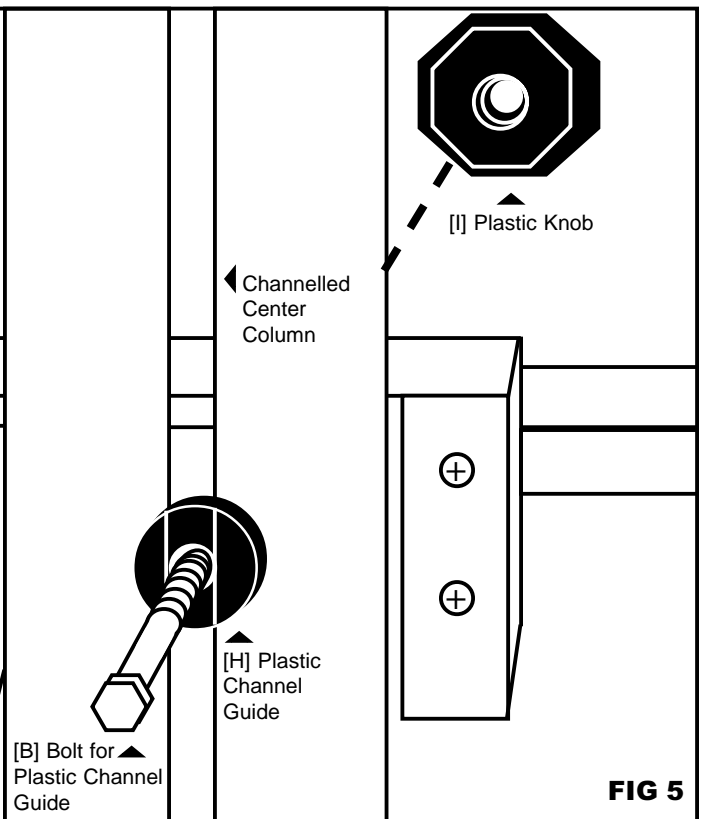


FIG 5

STEP 8. RECHECK all screws and bolts to make sure they are all tightened.

STEP 9. Adjust rear support leg, upper & lower canvas supports to desired heights.

STEP 10. Your easel is now ready for your painting enjoyment, **ENJOY!**

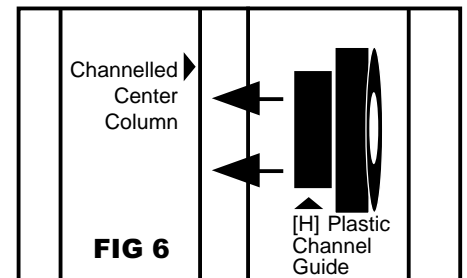


FIG 6