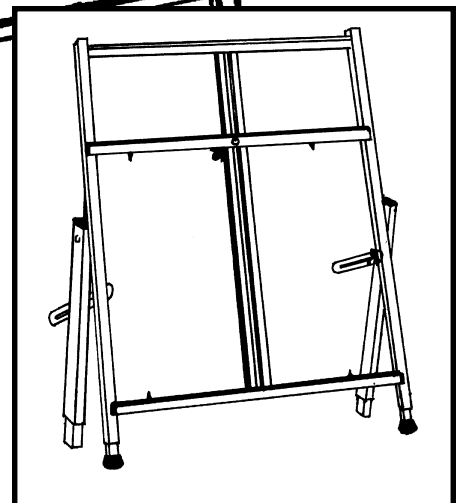


Bob Ross[®]

**Two In One Floor
Standing/Table
Top Easel**



**Assembly
Instructions**

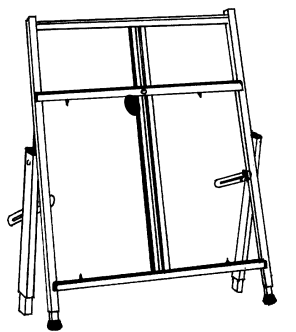


Martin/F. Weber Co.
4444 Lawton Avenue, Detroit, MI 48208 USA
Email: Custservmud@aol.com
Made in China

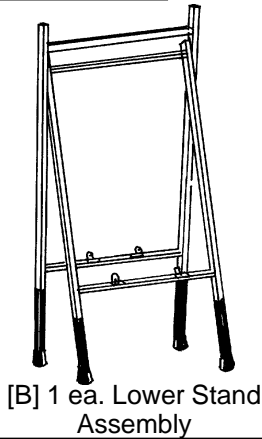
U.S. Patent No.
5,308,035

CONTENTS OF CARTON:

If you are having Assembly Problems, Call our Hotline at (313)895-0700
or Email: custservmud@aol.com



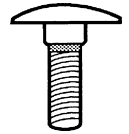
[A] 1 ea. Upper Assembly



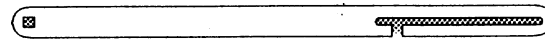
[B] 1 ea. Lower Stand Assembly



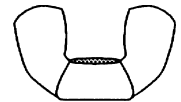
[C] 1 ea. Art Material Shelf



[E] 4 ea. Bolts



[D] 2 ea. Lower Stand Brackets



[F] 4 ea. Wing Nuts

REMOVE CONTENTS OF EASEL FROM CARTON

1. Enclosed are all the components necessary to assemble your new Bob Ross Two-In-One Standing/Table Top Easel. Prior to assembly, please make sure all your parts are enclosed by checking them against the parts list above.
2. Position the lower Assembly [B] on floor and carefully spread legs so that lower Assembly stands on floor.
3. Locate the [2] Lower Stand brackets [D] and attach the side with the 1/4" square cut-out to the Lower Stand Assembly [B] using [2] Bolts [E] and [2] Wing Nuts [F]. Hand tighten. Now attach the channel cut-out (in the lower stand brackets) to the Lower Stand Assembly [B] using the other [2] Bolts [E] and [2] Wing nuts [F]. See Fig. 1 at right.
4. Attach Art Material Shelf [C] by inserting it between the legs of the Lower Stand Assembly [B] legs and inserting the legs between rectangle cutouts on the Art Material Shelf [C]. Please Note: The Art Material Shelf is reversible which enables you to have the cutout for the Bob Ross® Brush Cleaning Bucket and Screen to be at the right or left hand side of your easel. See Fig. 2 at right
Note: The Bob Ross® Brush Cleaning Bucket and Screen, item #R6545, can be purchased separately.
5. Attach the Upper Assembly [A] on to the Lower Stand Assembly [B] by inserting the [2] rear legs of the Upper Assembly [A] into the Lower Stand Assembly [B]. See Fig. 3 at right.
6. Taking Upper Assembly [A] remove bolt and wing nut on tilt bracket. Re-insert bolt through tilt brackets that are attached to the Upper Assembly [A] and tighten with wing nut. See Fig. 4. at right. NOTE: When you want to change the tilt of your canvas, you will need to loosen these wing nuts and change the tilt of the Upper Assembly [A] to the desired position and then tighten the wing nuts once again to secure it.
7. Your unit is now completely assembled in the upright position. The easel should look like the image on the front side of this assembly instruction. TO CONVERT TO A TABLE TOP EASEL, simply pull up on the Upper Assembly section of the easel while holding down on the base of the easel. NOTE: You may need to work the easel from side to side in order to remove the table top portion.
8. To adjust the height of the Upper Canvas support, loosen the large black plastic knob on the back of the easel and move the canvas support to the desired height and then re-tighten the knob. See FIG. 5
9. HAPPY PAINTING!

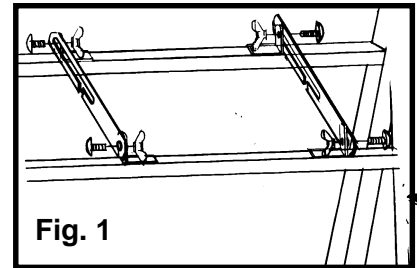


Fig. 1

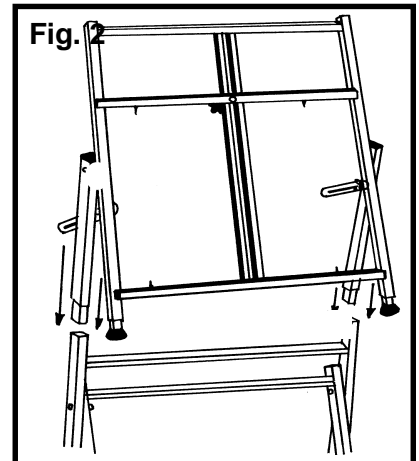


Fig. 2

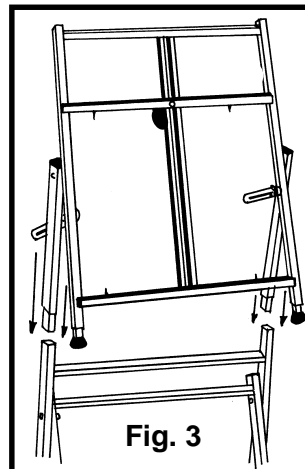


Fig. 3

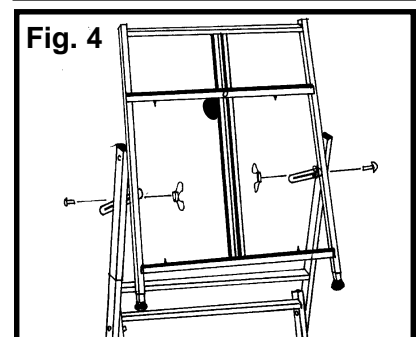


Fig. 4

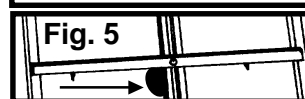


Fig. 5

