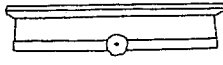


Aluminum Easel Assembly Instructions

Carton Contains: [A] Easel Assembly, [B] Lower Canvas Support (large), [C] Upper Canvas Support (small) & Parts Bag



Part A
[5] Adjustment
Knobs



Part B
[1] Lower Canvas
Tray



Part C
[1] Upper Canvas
Support



Part D
[3] T-Bolts



Part E
[1] Long Bolt



Part F
[1] Plastic Mat

Step 1.

Empty contents of carton. Remove all plastic packaging.

Step 2.

Take Easel Assembly and spread out the lower legs and position cross member support so that it lines up with hole in rear of left leg. See FIG 1 & Fig. 2

Step 3.

Remove knob and screw from cross member. Center hole in cross member needs to line up with channel in center column. Slide screw with plate into groove in center column while positioning cross member hole onto screw. Attach knob but DO NOT tighten.

Step 4.

Attach cross member to left leg of easel by removing knob from rear of leg and positioning hole in cross member over screw in leg. Attach knob and tighten to secure.

Step 5.

Tighten knob on rear of cross member to secure.

Step 6.

Loosen knob above rear leg to adjust tilt of easel. Tighten at desired angle.

Step 7.

Slide the lower canvas support [B] down onto the center column, tighten knob to secure. Repeat with upper canvas support [C]. See FIG 3.

Your easel is now ready to use.

If you have any
questions or difficulties
assembling this easel.
Please call our
Customer Service Hotline
at: (313)895-0700

FIG 1

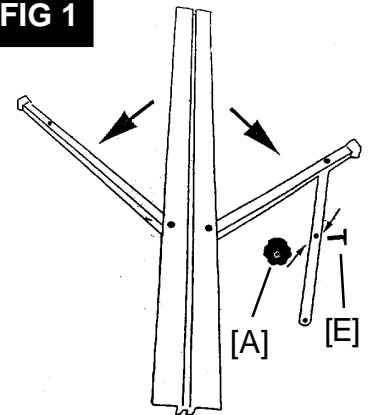


FIG 2

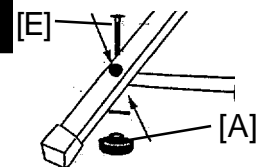


FIG 3

