

92-3032 Deluxe French Sketchbox Easel Assembly Instructions

This french sketchbox easel is 95% assembled. All one must do is set-up the legs and open the sketchbox for proper use and handling.

Assembly Instructions

1. After removing Sketchbox Easel from box, remove styro-foam sides and discard.
2. Begin by loosening wing nut [A] found under top rear edge of easel sketchbox. After loosening wing-nut [A], swing center leg outward while swinging hinged support [B] out until it stops against support plate. Tighten wing-nut [A] to secure. See FIG 1.
3. Loosen wing-nut [C] and swing middle section of center leg up until it stops against support plate. Tighten wing-nut [C] to secure. See FIG 2.
4. Finish center leg assembly by loosening wing-nut [D] and sliding out the lower section of leg completely. Tighten wing-nut to secure. See FIG 3.
5. Assemble Side Legs by slightly loosening wing-nut [E] and pulling legs away from easel box by unsnapping it from the easel sketchbox at [F] **Please Note: You may have to pull firmly.** See FIG 4 and review FIG 4A.

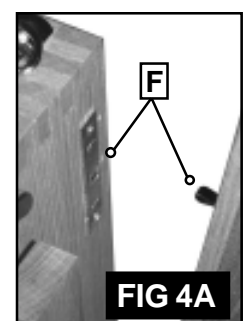
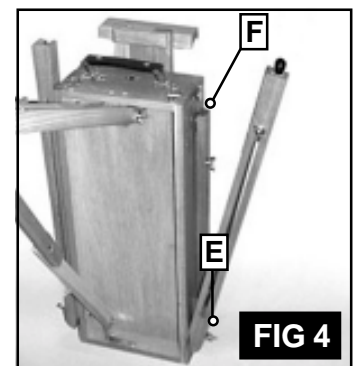
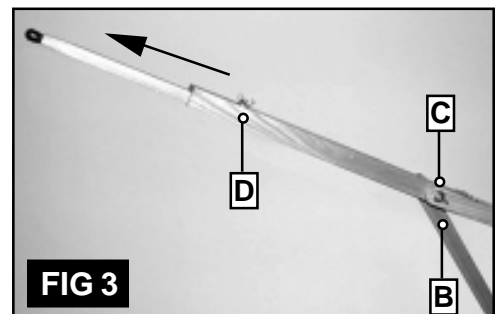
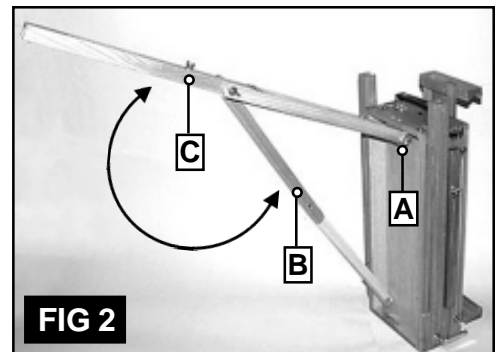
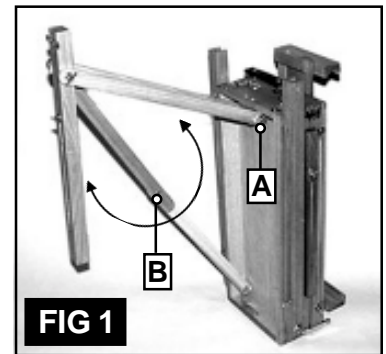
Turn page over to complete assembly instructions.

IMPORTANT

If you have difficulty assembling your easel or need customer service assistance. Please call: Martin Universal Design, Inc. Customer Service Hot Line at 1-800-366-7337. If you need additional parts, it is not necessary to contact your dealer, our Customer Service Rep. will forward them to you immediately.

MARTIN
Universal Design, Inc.

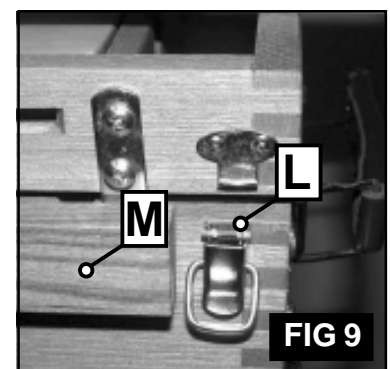
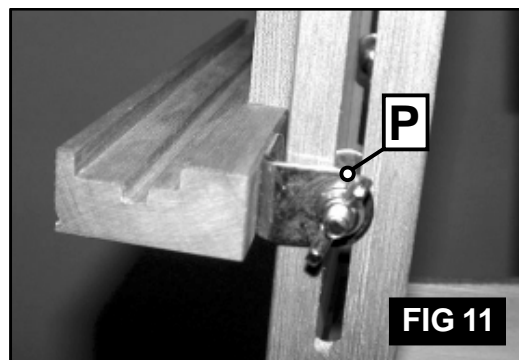
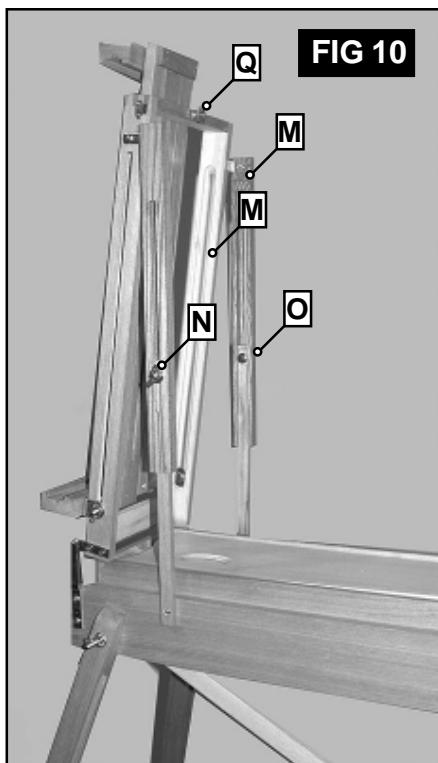
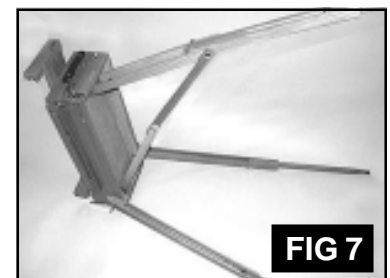
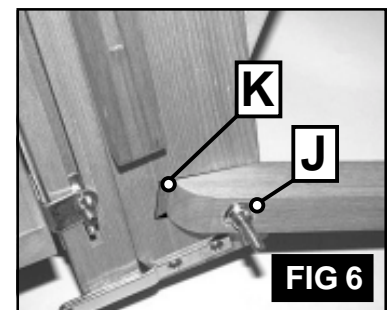
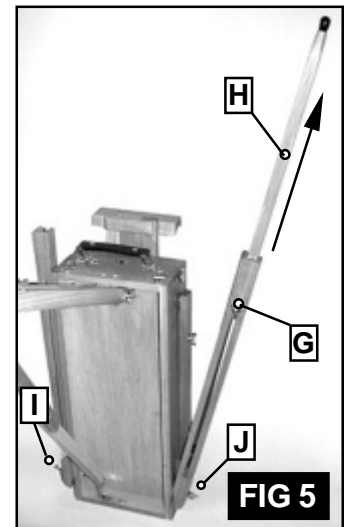
4444 Lawton Avenue, Detroit, MI 48208 USA • Tel:(313)895-0700 / Fax:(313)895-0709
E-mail: Mudmfwdet@aol.com • www.MartinUniversalDesign.com



92-3032 French Sketchbox Easel Assembly Instructions, continued

- Continue by extending lower portion of right leg by loosening wing-nut [G] and extending lower leg [H] completely. Tighten wing-nut to secure. See FIG 5. REPEAT with left side.
- Loosen wing-nuts [I] and [J]. Twist left and right leg towards rear of easel making certain legs are positioned into slotted grooves [K] then re-tighten wing-nuts [I] and [J] to secure. See FIG 6.
Before going to step 8, easel should look like FIG 7.
- Making certain all wing-nuts on all legs are tightened, continue by carefully turning easel up onto all 3 legs. See FIG 8.
- To open Sketchbox, release each hinge [L] on both sides of sketchbox and loosen wing-nuts [N] and [O] positioned along tilt supports [M]. See FIG 9 and 10.
- Lift up on sketchbox to swing up and open. Lock into desired position/angle by tightening down wing-nuts along tilt supports [M]. See FIG 10.
- To adjust upper canvas support loosen metal knob [Q] on rear of upper canvas support. See FIG 10. Tighten at desired height.
To adjust lower canvas support loosen wing-nuts [P] along outer edge of canvas support. See FIG. 11. Tighten at desired position.

Your easel is now ready for your painting enjoyment!



MARTIN
Universal Design, Inc.

4444 Lawton Avenue, Detroit, MI 48208 USA
Tel:(313)895-0700 / Fax:(313)895-0709
E-mail: Mudmfwdet@aol.com
www.MartinUniversalDesign.com