

Avanti I Easel Assembly Instruction

Model No. 92-20401 (white) and 92-20404 (black)

| ITEM # | PART NUMBER | DESCRIPTION | QTY. |
|--------|-------------|-----------------------------|------|
| 1 | 97-01E10104 | Left Leg (Black) | 1 |
| 1 | 97-01E10101 | Left Leg (White) | 1 |
| 2 | 97-01E10204 | Right Leg (Black) | 1 |
| 2 | 97-01E10201 | Right Leg (White) | 1 |
| 3 | 97-01E10300 | Joiner | 1 |
| 4 | 97-01E10404 | Lower Front Support (Black) | 1 |
| 4 | 97-01E10401 | Lower Front Support (White) | 1 |
| 5 | 97-01E10500 | Lower Back Joiner | 1 |
| 6 | 97-01E10604 | Tilt Support (Black) | 1 |
| 6 | 97-01E10601 | Tilt Support (White) | 1 |
| 7 | 97-01E10700 | Allen Screw | 2 |
| 8 | 97-01E10800 | Bottom Center Arm | 1 |
| 9 | 97-01E10900 | Top Center Arm | 1 |
| 10 | 97-01E11004 | Tray (Black) | 1 |
| 10 | 97-01E11001 | Tray (White) | 1 |
| 11 | 97-01E11104 | Top Canvas Holder (Black) | 1 |
| 11 | 97-01E11101 | Top Canvas Holder (White) | 1 |
| 12 | 97-01E11200 | Knob Large Male | 3 |
| 13 | 97-01E11300 | Knob Small Female | 1 |
| 14 | 97-01E11400 | Adjustable Feet | 4 |

Assembly Instructions

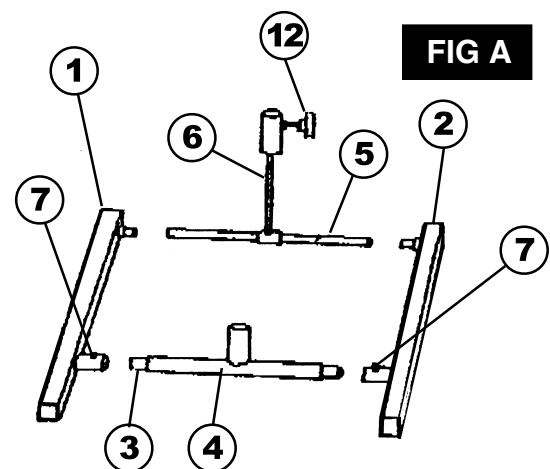
FIGURE A.

Thread part #3 Joiner into part #4 Lower front support..

Thread part #5 Lower back joiner into part #6 Tilt support and then add part #12 Large knob into part #6 Tilt support.

Insert part #1 Left leg and #2 Right leg into part #3 Joiner and part #5 Lower back joiner.
Add part #7 Allen screws into parts #1 Left leg & #2 Right leg.

Tighten the Allen screws with Allen Wrench supplied.



IMPORTANT

If you have difficulty assembling your easel or need customer service assistance. Please call: Martin Universal Design, Inc. Customer Service Hot Line at 1-800-366-7337. If you need additional parts, it is not necessary to contact your dealer, our Customer Service Rep. will forward them to you immediately.



4444 Lawton Avenue, Detroit MI 48208 USA Tel:(313)895-0700 • Fax:(313)895-0709
E-mail: CustservMUD@aol.com • Visit us at: www.MartinUniversalDesign.com

FIGURE B.

Insert part #8 Bottom center arm through #6 Tilt support and into #4 Lower front support.. Tighten Large Knob #12.

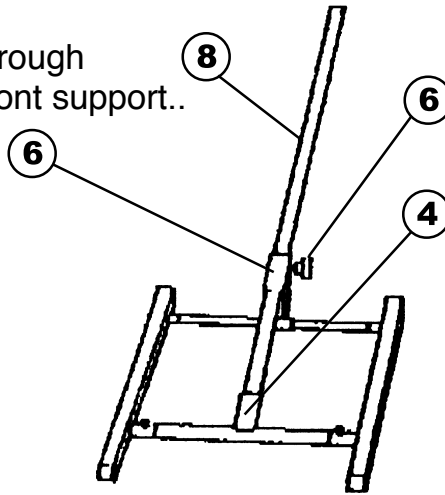


FIG B

FIGURE C.

Slide part #11 Top canvas holder over part #9 Top center arm.

Thread Large Knob #12 into part #11 Top canvas holder.

Slide part #10 Tray over part #9 Top center arm. Then thread #13 Small knob into part #9 Top center arm. Proceed to thread #12 Large knob into #10 Tray. Hand tighten.

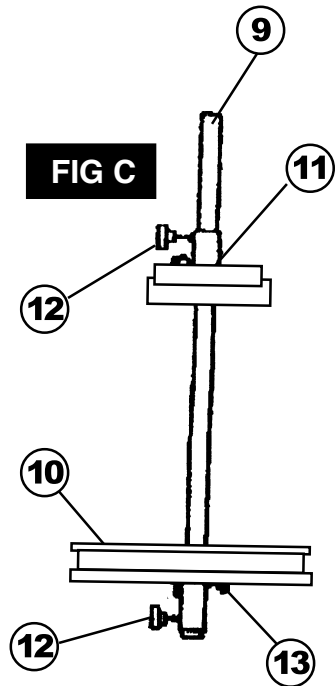


FIG C

FIG D

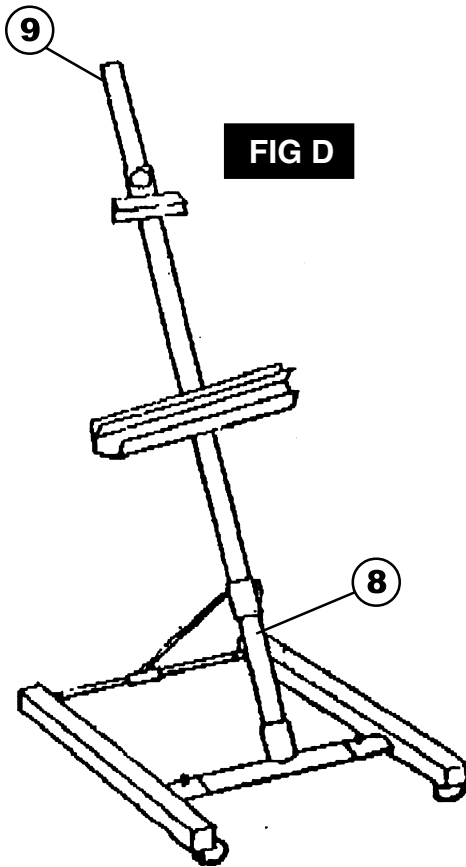


FIGURE D.

Slide part #9 Top Top center arm over part #8 Bottom center arm. Secure/tighten with parts #12 large knobs.

Your easel should now look like FIGURE D.

NOTE:

Parts #14 Feet already assembled to part #1 & #2 Left and Right legs.

NOTE: DO NOT tighten knobs more than necessary. Over-tightening will cause knob deformations.

IMPORTANT
If you have difficulty assembling your easel or need customer service assistance. Please call: Martin Universal Design, Inc. Customer Service Hot Line at 1-800-366-7337. If you need additional parts, it is not necessary to contact your dealer, our Customer Service Rep. will forward them to you immediately.

