






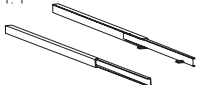
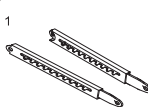



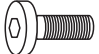
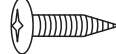













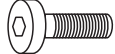



KTX CRAFT CENTER U-DS20B

Drawing, Art, Hobby, Craft Table with Plan
Drawer.

PARTS LIST

 = Table Components  = Fasteners and Tools

A QTY: 1  Top	B QTY: 1  Left Leg	C QTY: 1  Right Leg	D QTY: 1  Back Brace	E QTY: 1  Front Brace	F QTY: 1  Drawer
G QTY: 1  Pencil Edge	H QTY: 1  Drawer Slides	I QTY: 1  Tilt Mechanism	J QTY: 2  Tilt Bracket	K QTY: 2  6x70mm Bolt	L QTY: 4  6x50mm Bolt
M QTY: 4  6x12mm Bolt	N QTY: 12  5x14mm Screw	O QTY: 6  4x12mm Screw	P QTY: 4  Bolt	Q QTY: 4  Acorn Nut	R QTY: 2  Locking Nut
S QTY: 2  Spacer	T QTY: 4  Floor Guides	U QTY: 1  Small Wrench	V QTY: 1  Wrench	W QTY: 1  Allen Wrench	X QTY: 2  Locking Nut
Y QTY: 2  Washer	Z QTY: 2  Washer	A1 QTY: 2  Tilt Bracket	B1 QTY: 2  6x16mm Bolt	C1 QTY: 2  Washer	

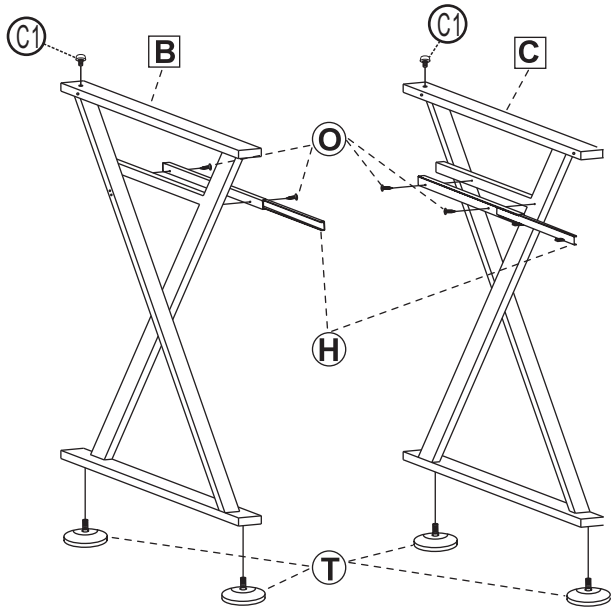
IMPORTANT

If you have difficulty assembling your table, or need customer service assistance, please call: Martin Universal Design, Inc. customer service hotline at 1-313-895-0700, or email at custservmud@gmail.com. If you need additional parts, it is not necessary to contact your dealer. Our Customer Service Representative will forward them to you immediately.

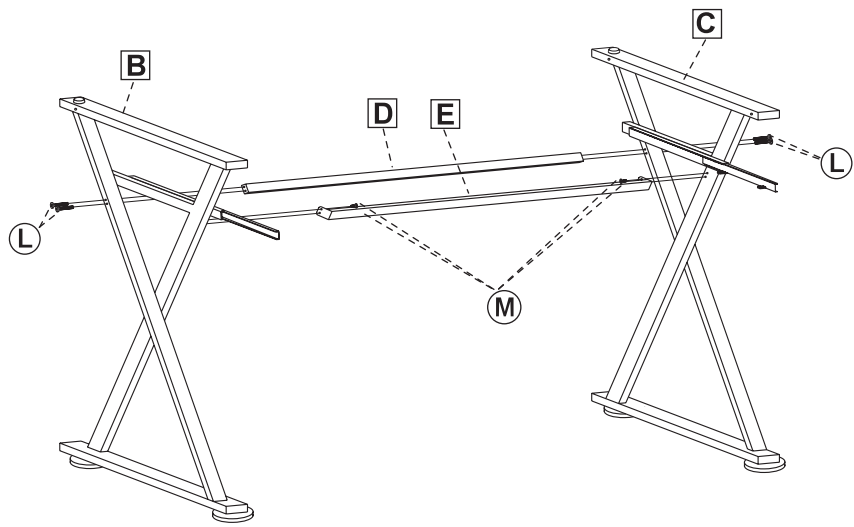
MARTIN
UNIVERSAL DESIGN, INC

4444 Lawton Street, Detroit, MI 48208 USA
TEL: 313-895-0700 FAX: 313-895-0709
www.MartinUniversalDesign.com
Email: custservmud@gmail.com

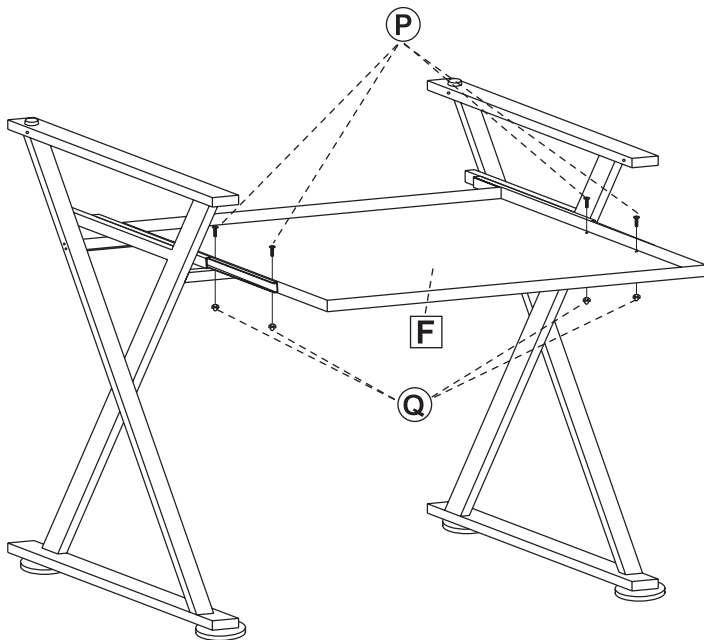
Step 1



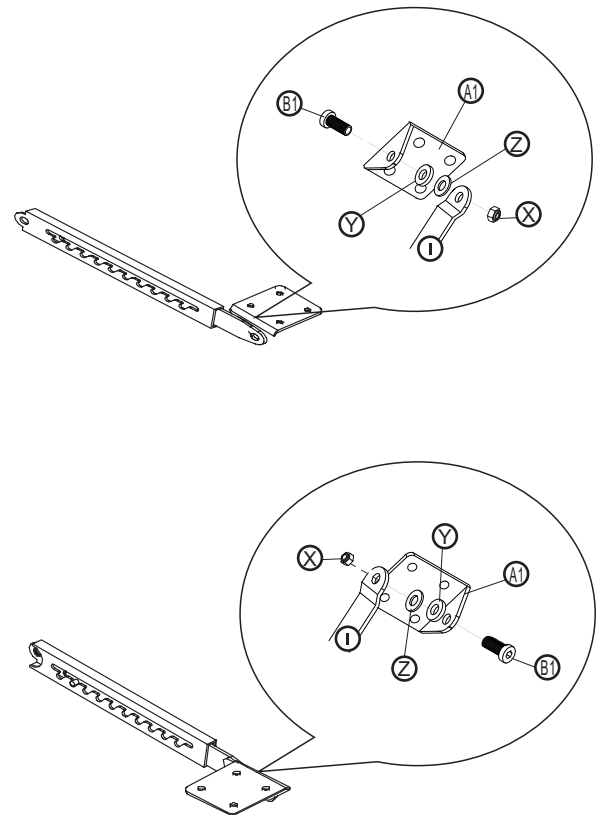
Step 2



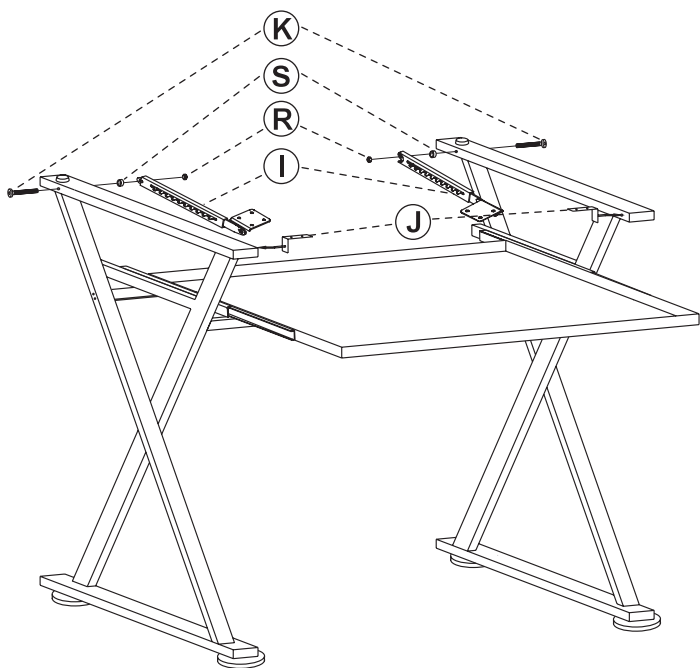
Step 3



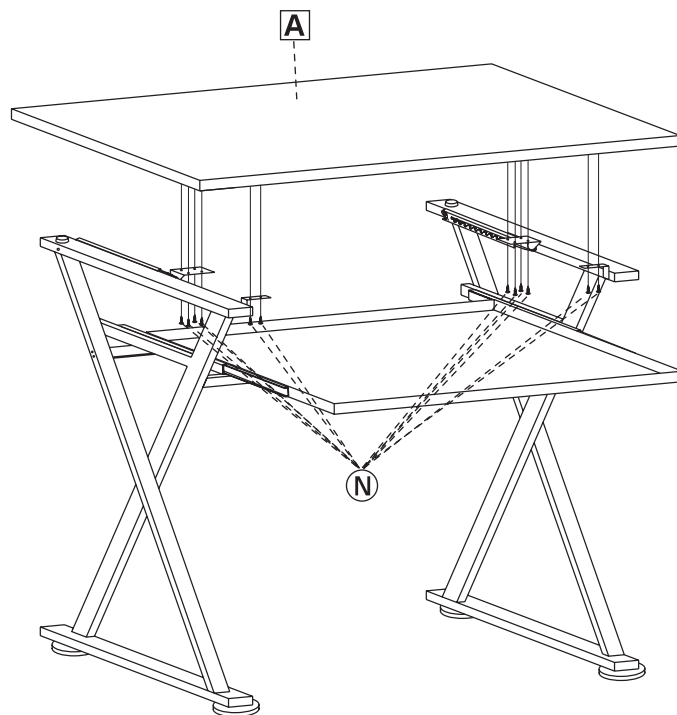
Step 4



Step 5



Step 6



Step 7

