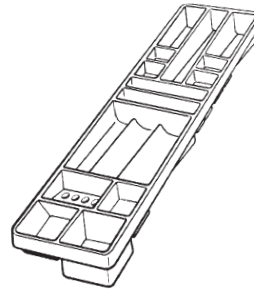
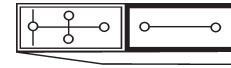


U-1264 SIDE UTILITY TRAY ASSEMBLY

ITEM #	PARTS LIST	QTY
U-1264	Side Utility Tray	1
	Bracket	2
	Screws	4
	Nuts for Screws	4
	Phillip WoodScrews	8



[1] - Side Utility Tray



[2] - Side Utility Tray Brackets



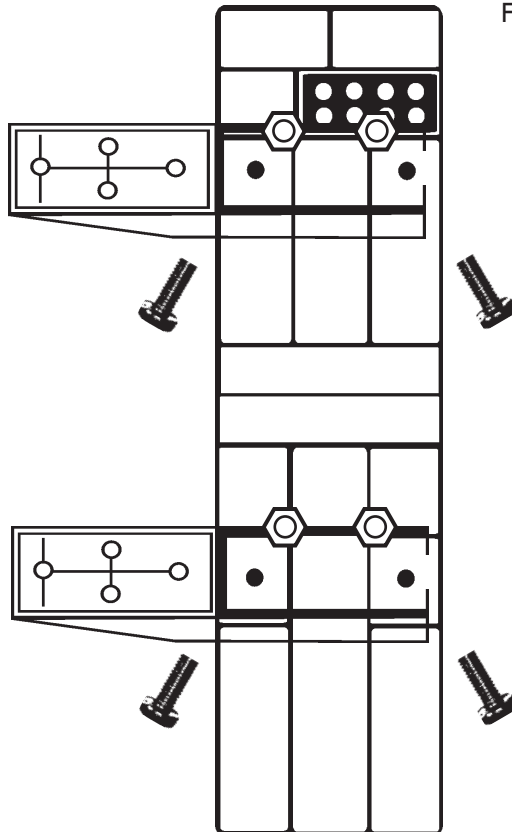
[4] - Screws & Nuts



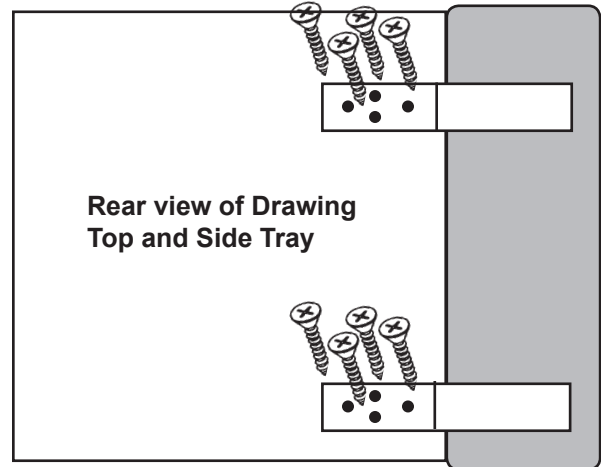
Tools Needed for assembly:
Hammer & Phillips Screwdriver
or power screwdriver needed for assembly.



[8] - Phillip Screws



1. Take the utility tray and attach each bracket to the bottom side of the tray using [2] each screws and nuts. Insert the screw from the bottom of the bracket up through the utility tray and secure with the nut from the inside of the side utility tray. Repeat for all [4] screws and nuts. As shown in FIG 1.



2. Now you will attach the assembled Side Tray to the rear side of the Drawing Board. Place the Side Tray brackets onto the Rear side of the Drawing Board and mark with a pencil in each of the [4] holes in each bracket. Take Tray away and now tap the drawing board on each marked spot with a pointed object and hammer to break the surface of the Drawing Board, to allow easier screwing of the screws. Once all holes are tapped. Have someone hold the tray in position and screw in [4] wood screws into each bracket to secure tray to drawing board. As shown in FIG 2. Once secure, you are finished and ready to use.

ONE YEAR GUARANTEE

This Martin Universal Design, Inc. product has a one year guarantee to be free from manufacturers defects during that period of use by the original purchaser. Items or parts subjected to extreme temperature or abuse or use of this product other than manufacturers intended purpose is not covered under this guarantee.

Any Questions with Assembly? We Can Help



PLEASE DO NOT RETURN THIS SIDE TRAY to the Store where you purchased it. If you are unable to assemble or parts are missing, PLEASE Call Customer Service at Martin Universal Design, Inc. 313-895-0700 or Email: custservmud@aol.com

MARTIN
Universal Design, Inc.

Martin Universal Design, Inc. • 4444 Lawton Avenue, Detroit, MI 48208 USA
Tel: (313)895-0700 / Fax:(313)895-0709 • E-mail: Custservmud@aol.com