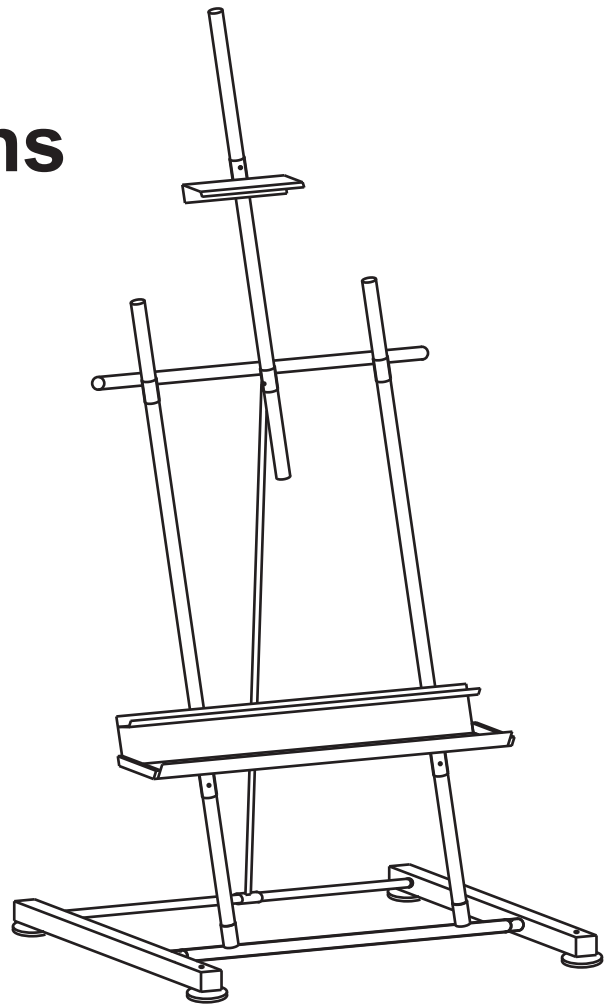
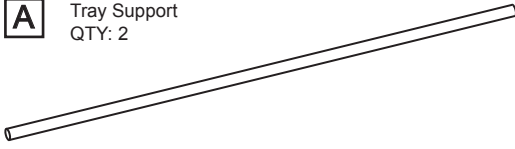
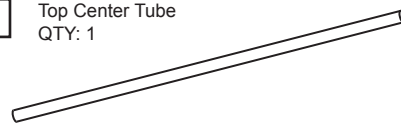
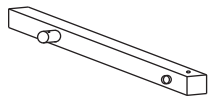
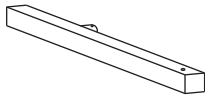




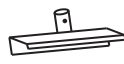










AVANTI II

Assembly Instructions

Item No. 92-20414



A Tray Support QTY: 2 		B Top Center Tube QTY: 1 		C Right Leg 
D Left Leg 	E Back Brace 	F Front Brace 	G Center Column Brace 	H Lower Canvas Tray 
I Canvas Bracket 	J Top Center 	K Tilt Support 	L Uppert Tilt Support 	M Glides QTY: 4 
N Large Knob QTY: 3 	O Small Knob QTY: 9 	P Locking Nut 	Q Wrench 	

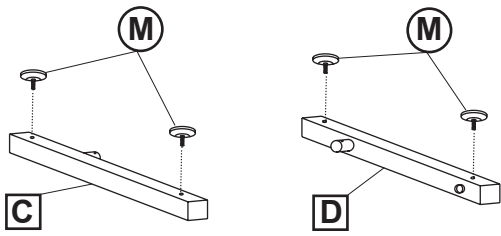
IMPORTANT

If you have difficulty assembling your table, or need customer service assistance, please call: Martin Universal Design, Inc. customer service hotline at 1-313-895-0700, or email at custservmud@gmail.com. If you need additional parts, it is not necessary to contact your dealer. Our Customer Service Representative will forward them to you immediately.

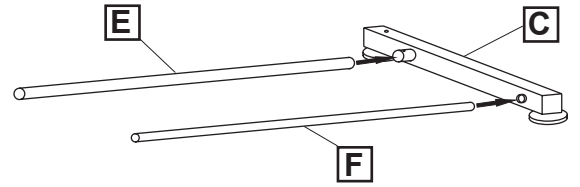
MARTIN
MARTIN UNIVERSAL DESIGN, INC

4444 Lawton Street, Detroit, MI 48208 USA
TEL: 313-895-0700 FAX: 313-895-0709
www.MartinUniversalDesign.com
Email: custservmud@gmail.com

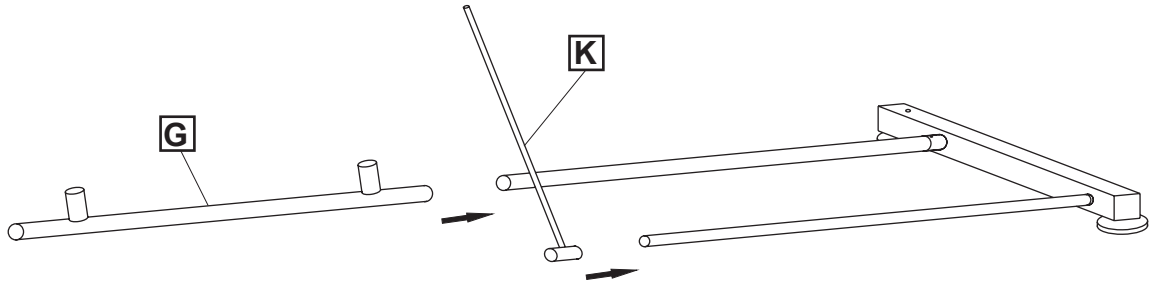
Step 1



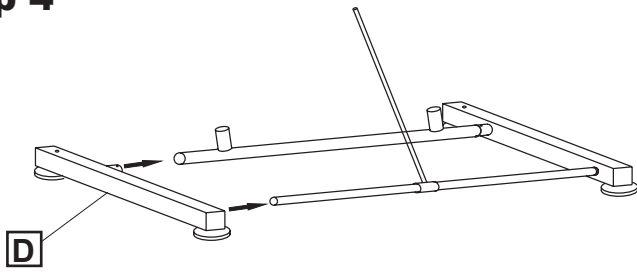
Step 2



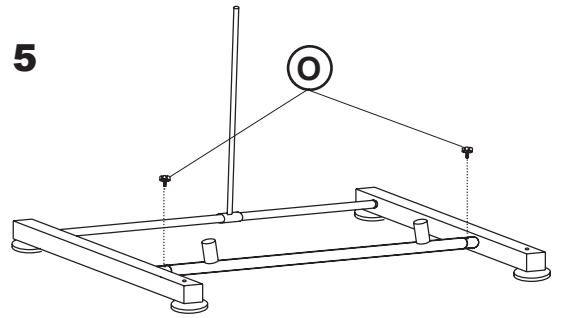
Step 3



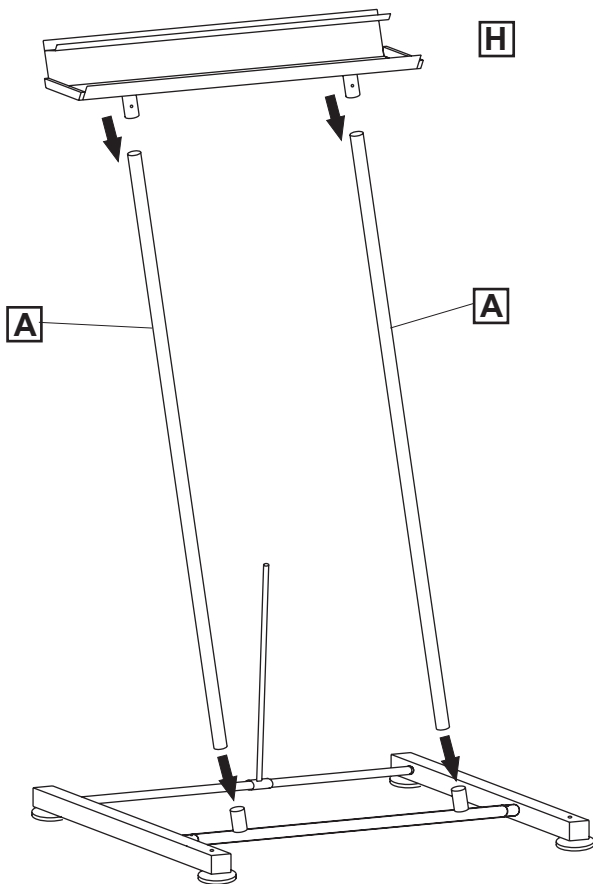
Step 4



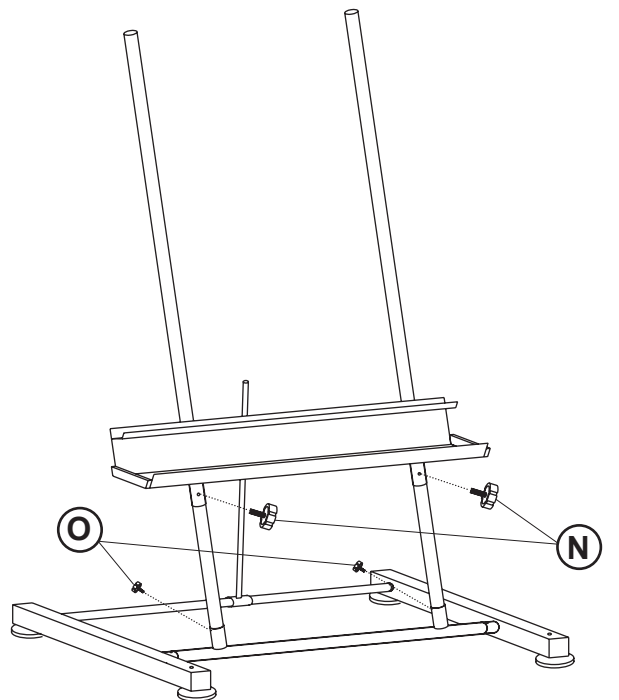
Step 5



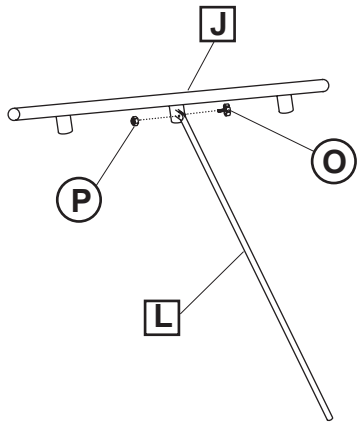
Step 6



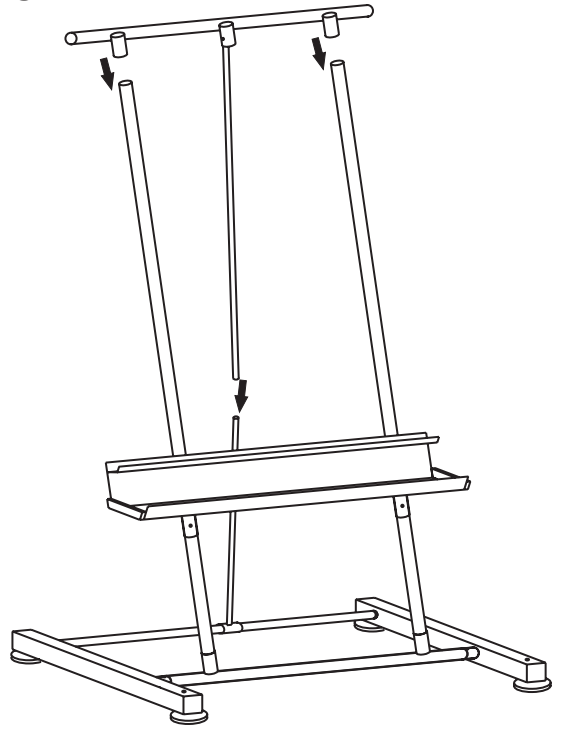
Step 7



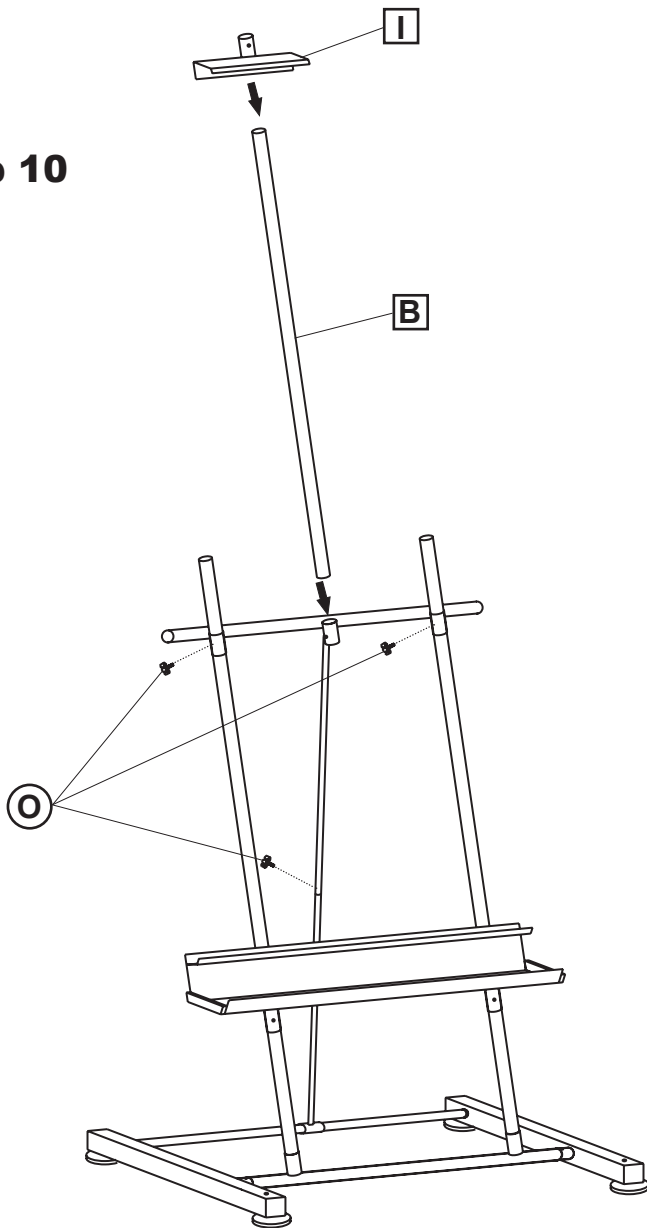
Step 8



Step 9



Step 10



Step 11

