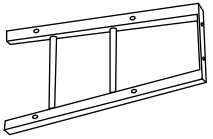

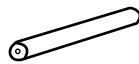

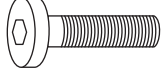



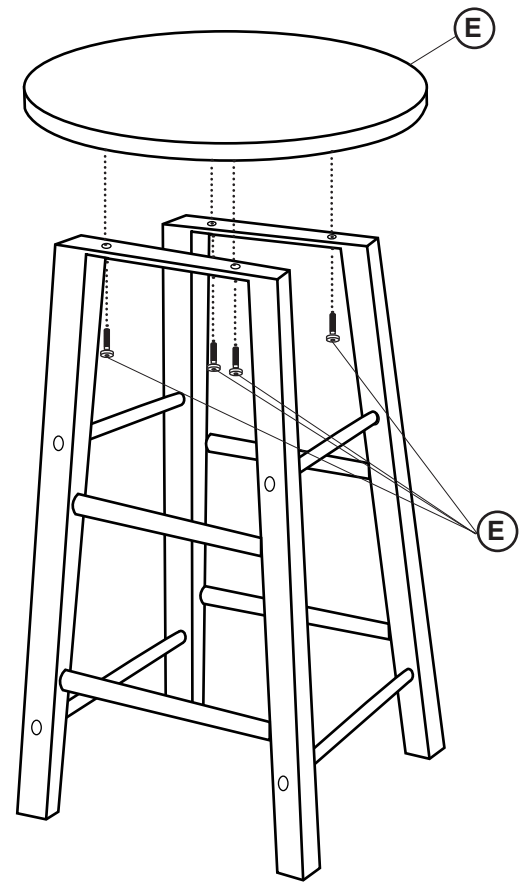
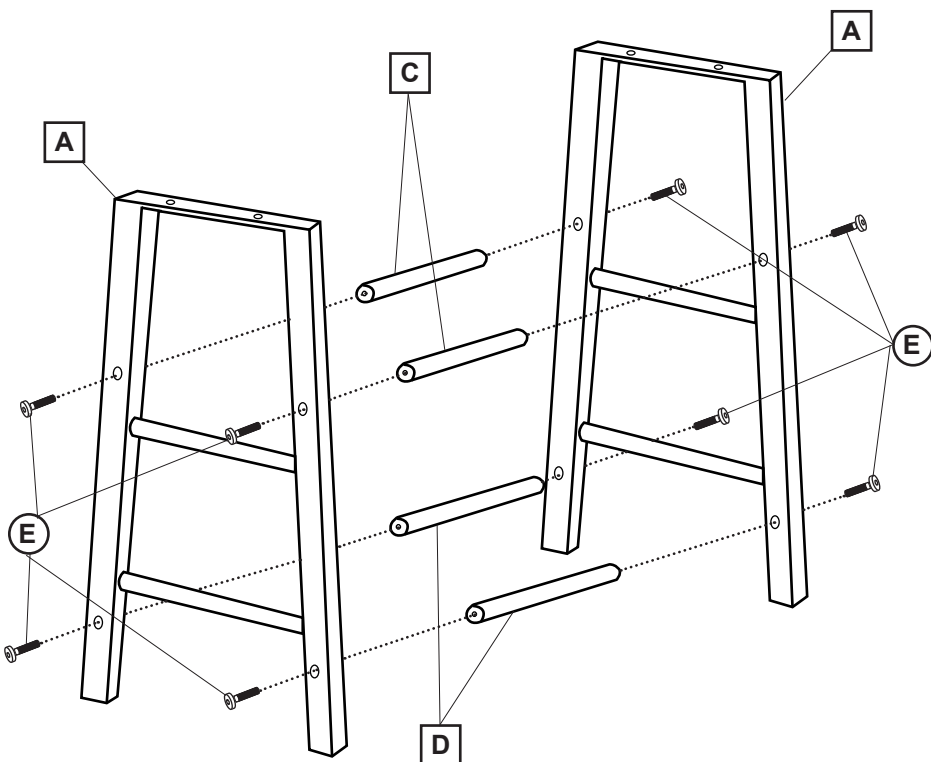
MARTIN® Birchwood Studio Stool Collection

Studio Desk Height - 91-01500
 Studio Drafting Height - 91-01550



PARTS LIST

<p>A QTY: 2</p>  <p>Leg Frame</p>	<p>B QTY: 1</p>  <p>Seat</p>	<p>C QTY: 2</p>  <p>Short Support Rod</p>	<p>D QTY: 2</p>  <p>Long Support Rod</p>
<p>E QTY: 12</p>  <p>6x25mm Bolt</p>	<p>F QTY: 1</p>  <p>Allen Wrench</p>		



IMPORTANT

If you have difficulty assembling your table, or need customer service assistance, please call: Martin Universal Design, Inc. customer service hotline at 1-313-895-0700, or email at custservmud@gmail.com. If you need additional parts, it is not necessary to contact your dealer. Our Customer Service Representative will forward them to you immediately.

MARTIN
 MARTIN UNIVERSAL DESIGN, INC

4444 Lawton Street, Detroit, MI 48208 USA
 TEL: 313-895-0700 FAX: 313-895-0709
www.MartinUniversalDesign.com
 Email: custservmud@gmail.com