

TONDRA STOOL ASSEMBLY

91-01000

Fig.1

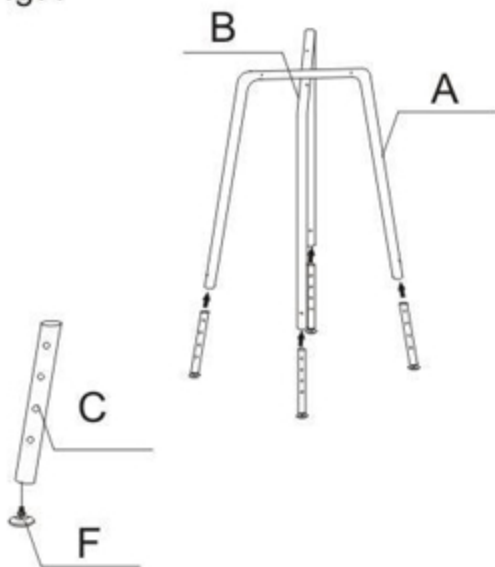


Fig.2

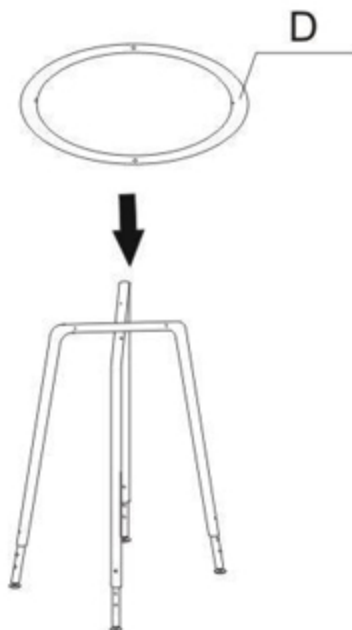


Fig.3

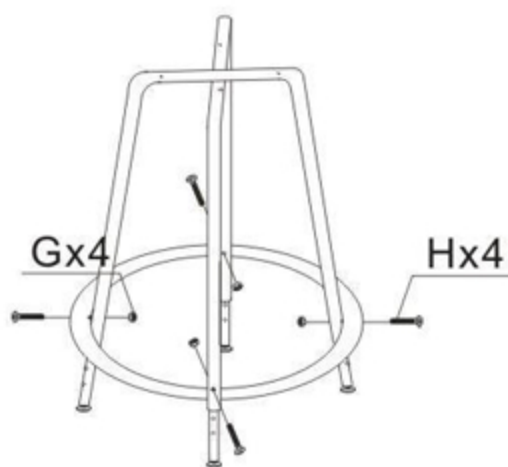
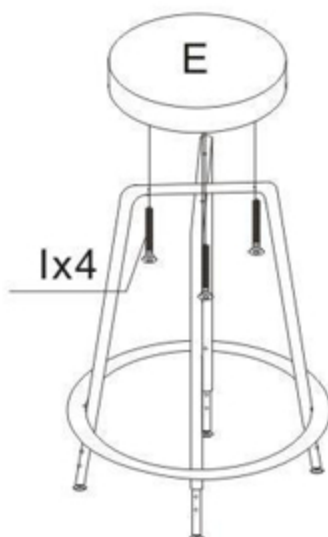


Fig.4



Ax1	
Bx1	
Cx4	
Dx1	
Ex1	
Fx4	
Gx4	
Hx4	 6x55mm
Ix4	 6x35mm
Jx1	
Kx1	



Any Questions with Assembly? We Can Help
PLEASE DO NOT RETURN THIS STOOL to the Store where you purchased it.
 If you are unable to assemble or parts are missing,
PLEASE Call Customer Service at Martin Universal Design, Inc.
 313-895-0700 or Email: custservmud@aol.com



ONE YEAR GUARANTEE

This Martin Universal Design, Inc. product has a one year guarantee to be free from manufacturers defects during that period of use by the original purchaser. Items or parts subjected to extreme temperature or abuse or use of this product other than manufacturers intended purpose is not covered under this guarantee.

MARTIN
 Universal Design, Inc.

Martin Universal Design, Inc. • 4444 Lawton Avenue, Detroit, MI 48208 USA
 Tel: (313)895-0700 / Fax: (313)895-0709 • E-mail: Custservmud@aol.com